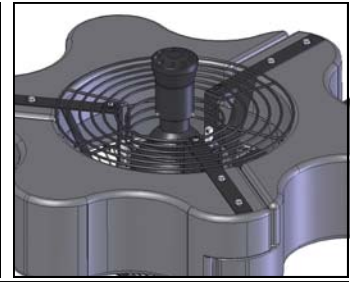


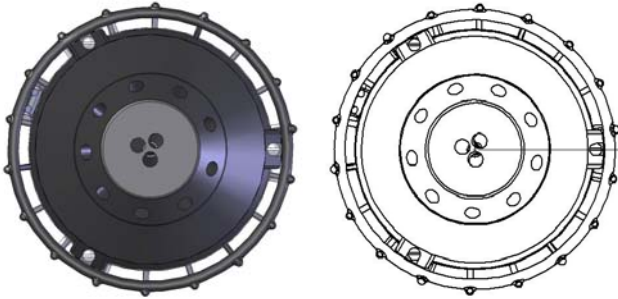
# Premium Nozzle Installation Instructions

Remove any nozzles that were previously installed on the fountain's cone assembly. Push the nozzle down over the cone assembly (it may require light taps with a rubber mallet to seat properly). Next, use the 3 Self Tapping screws provided in the 3 holes on the nozzle and tighten the screws into the cone assembly. Once you feel resistance, two more turns will be sufficient.



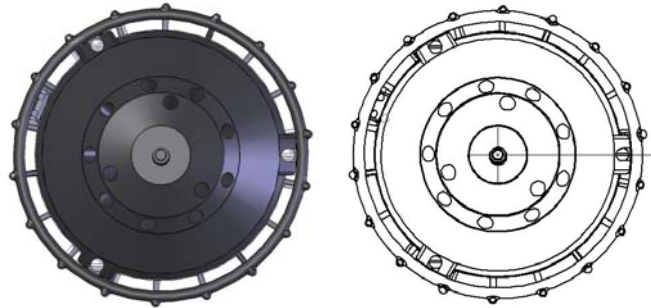
For Best results, Align the nozzle with the fountain's Cone assembly according to the pictures below.

## Madrone



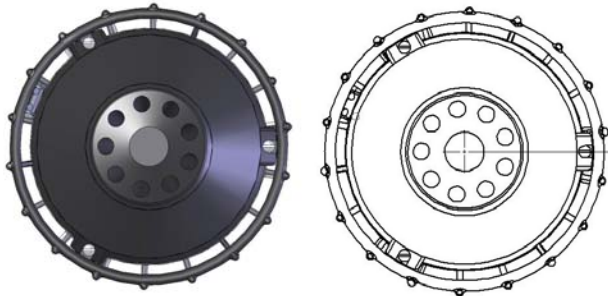
Model	HP	Height	Width
8400JF	2	13'	36'
3.1JF	3	15'	46'
5.1JF	5	17'	50'
7.3JF	7.5	20'	60'

## Mahogany



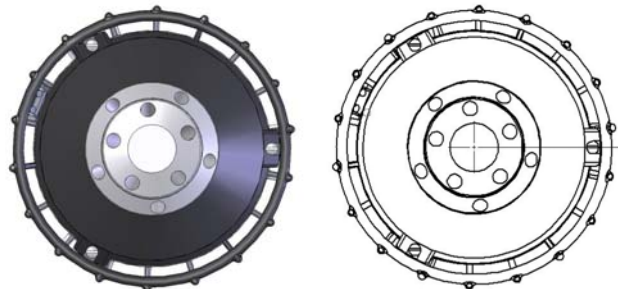
Model	HP	Height	Width
8400JF	2	12'	34'
3.1JF	3	14'	42'
5.1JF	5	16'	50'
7.3JF	7.5	19'	60'

## Palm



Model	HP	Height	Width
8400JF	2	13'	24'
3.1JF	3	15'	28'
5.1JF	5	18'	30'
7.3JF	7.5	20'	34'

## Magnolia



Model	HP	Height	Width
8400JF	2	14'	42'
3.1JF	3	16'	52'
5.1JF	5	19'	60'
7.3JF	7.5	22'	69'