



Pond-Jet with Pond-Jet-Nozzle



Schaumsprudler 35-10 E

	Fresh Water	Pool Water	Sea Water	220-240 V	400 V	110-120 V	50 Hz	60 Hz
Pond-Jet 57075	✓	✓	✓	✓	✓	✓	✓	✓
Pond-Jet 54019	✓	✓	✓	✓	✓	✓	✓	✓

POND-JET

Thanks to the Pond-Jet floating fountain pump, decorative fountains can easily and quickly be achieved without any complex installation.

Neither the depth of the water, nor a pond base that is very dirty or difficult to access are of significance here. Perfect for use at short notice.

Product characteristics at a glance

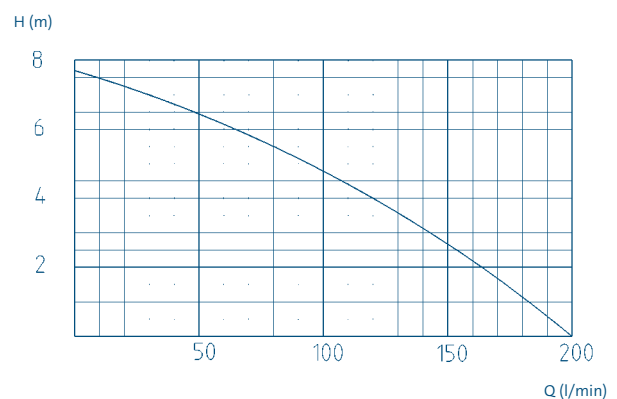
- Ready-to-connect complete aggregate, consisting of pump, float element, and Pond-Jet-nozzle with 1"-thread
- Clearly structured fountain height and spray diameter of 3 metres
- Minimum water depth in clear water is 1 m; for a muddy pond floor the minimum depth is 1.5 m
- Lighting set and additional nozzle patterns are available as accessories

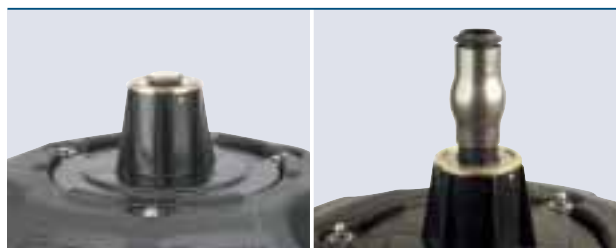
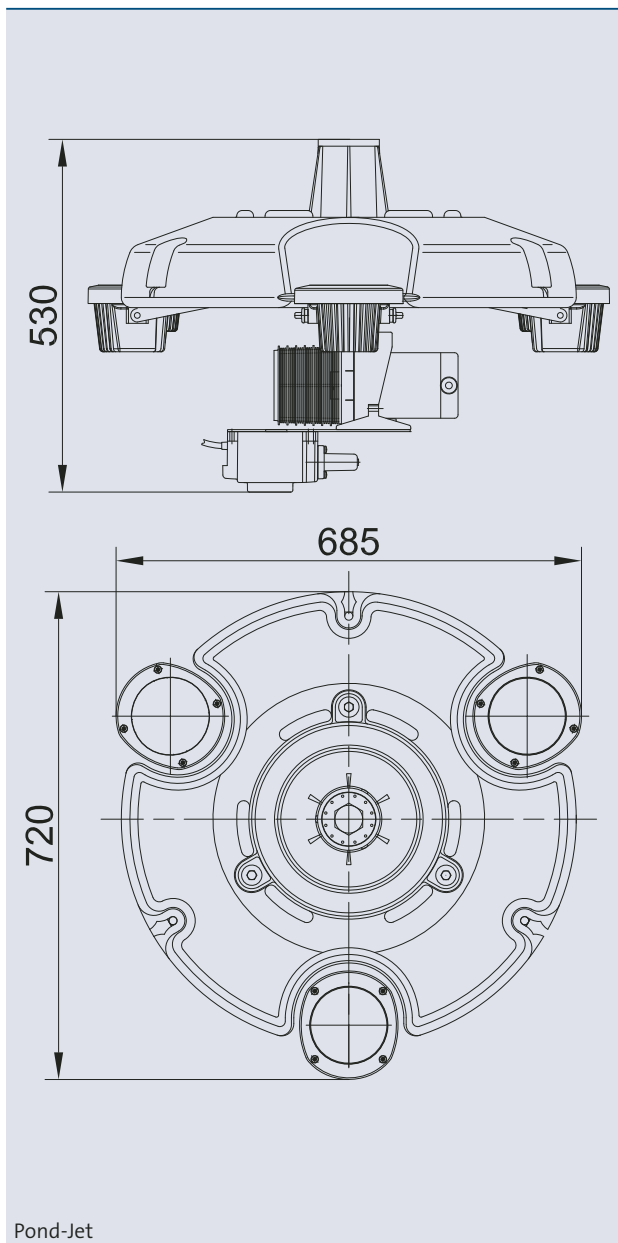


Pond-Jet



Pump performance curve





Pond-Jet-nozzle
with 1"-thread, cover and plug.

1"-thread with nozzle
Here, as an example with a mounted Schaumsprudler 35-10E.



Connection possibility
of the underwater lighting
transformer.

Accessories: Lighting set
Three LunAqua 10 spotlights –
must be ordered separately.

Accessories (must be ordered separately)



Illumination Set Pond-Jet

LunAqua 10 with 50 W each	3 x	3 x
Stainless steel holder	3 x	3 x
Transformer 150 VA	1 x	1 x
Cable length	20.0 [m]	75 [ft.]
Order no.	57083	51071

Fountain attachment with 1" thread for attachment to the multi-funcion nozzle

Schaumsprudler 35-10 E

Fountain height [cm]	140
Order no.	50984

Pond-Jet		
Dimensions (Ø x H)	[mm]	670 x 540
Rated voltage	[V/Hz]	220 - 240 / 50
Power consumption	[W]	270
Flow Rate max.	[l/min.]	200
Flow Rate max.	[l/h]	12000
Head height max.	[m]	7.7
Pressure-side connection	[inch]	1"
Spray height	[m]	3.0
Filter surface area	[cm ²]	650
Cable length	[m]	20.0
Weight	[kg]	approx. 11.0
Order no.		57075

Pond-Jet		
Dimensions (Ø x H)	[ft]	2.2 x 1.8
Operating Voltage	[V / Hz]	110-120 / 60
Power Consumption	[W / A]	260 / 2.2
Flow Rate max.	[gpm]	40
Flow Rate max.	[gph]	2400
Head Height max.	[ft.]	28
Nozzle Connection	[in.]	1
Pattern Height max.	[ft.]	10
Pattern Width max.	[ft.]	10
Cable length	[ft.]	75
Weight	[lbs.]	16.8
Order no.		54019