



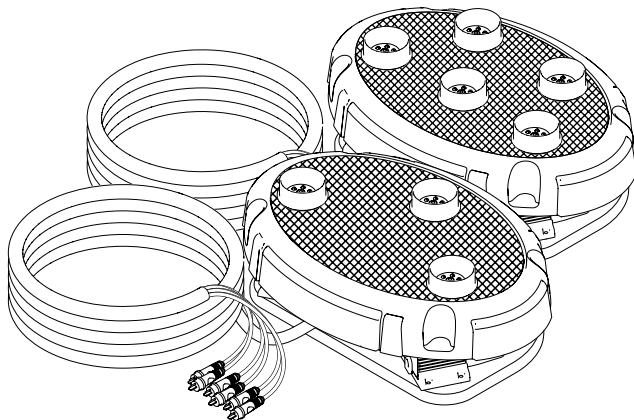
**Warranty, Safety and
Operating Instructions**

**Garantie, mode d'emploi et
consignes de sécurité**

**Garantia, Instructivo
de Seguridad y de Operaciones**

**Garantie, Sicherheitshinweise
Gebrauchsanweisung**

Water Trio / Water Quintet



Technical Data

	Reference voltage	Primary reference voltage	Secondary reference voltage	Power consumption	Dimensions	Weight	Fountain height	Cable length
	Tension de mesure	Tension de mesure, primaire	Tension de mesure, secondaire	Puissance absorbée	Dimensions	Poids	Hauteur de fontaine	Longueur de câble
	Tensión asignada	Tensión asignada primaria	Tensión asignada secundaria	Consumo de potencia	Dimensiones	Peso	Altura del surtidor	Longitud del cable
	Bemessungsspannung	Bemessungsspannung primär	Bemessungsspannung sekundär	Leistungsaufname	Abmessungen	Gewicht	Fontänenhöhe	Kabellänge
Water Trio	DC 12 V	–	–	–	430 x 300 x 240 mm 16,9 x 12 x 9,5 in	4,5 kg 9,9 lb	max. 1,4 m max. 4,5 ft	8 m 26 ft
Water Quintet	DC 12 V	–	–	–	430 x 300 x 240 mm 16,9 x 12 x 9,5 in	6,5 kg 14,3 lb	max. 1,4 m max. 4,5 ft	8 m 26 ft
Trafo (transformer)	–	AC 120 V / 60 Hz	DC 12 V	–	150 x 90 x 75 mm 5,9 x 3,6 x 3 in	2,1 kg 4,6 lb	–	2 m / 0,5 m 6,5 ft / 1,6 ft
12V-Steuerungsbox (12V control box)	DC 12 V	–	–	40 W	215 x 180 x 305 mm 8,5 x 7 x 12 in	1,35 kg 3 lb	–	–
Water Trio								
12V-Steuerungsbox (12V control box)	DC 12 V	–	–	50 W	215 x 180 x 305 mm 8,5 x 7 x 12 in	1,35 kg 3, lb	–	–
Water Quintet								



Attenzione!

Read the operating instructions.

Attention !

Lire la notice d'emploi.

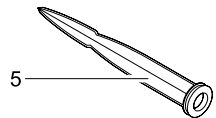
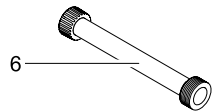
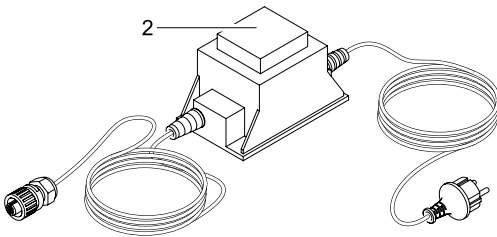
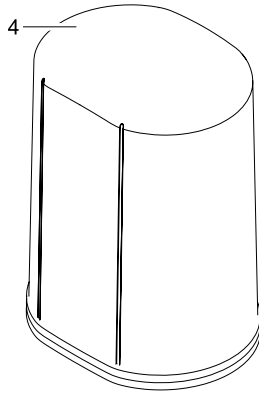
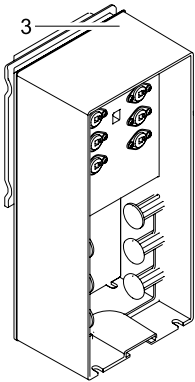
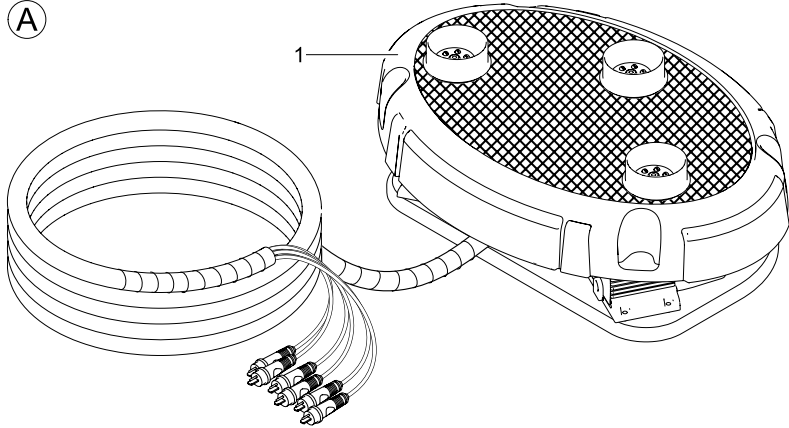
¡Atención!

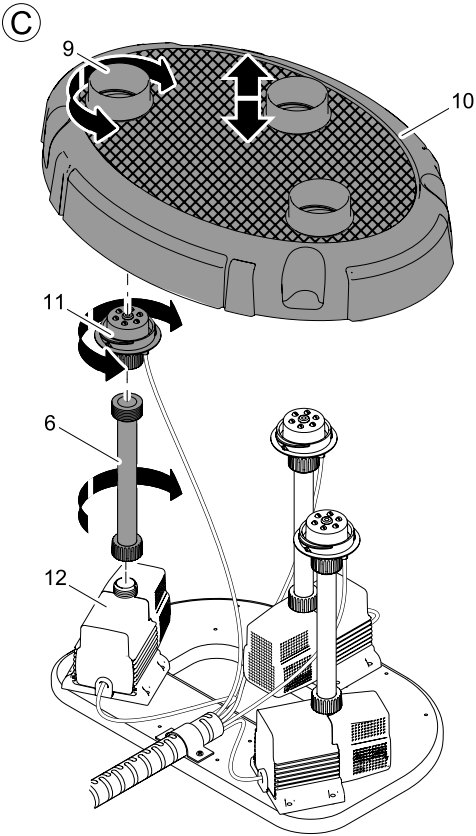
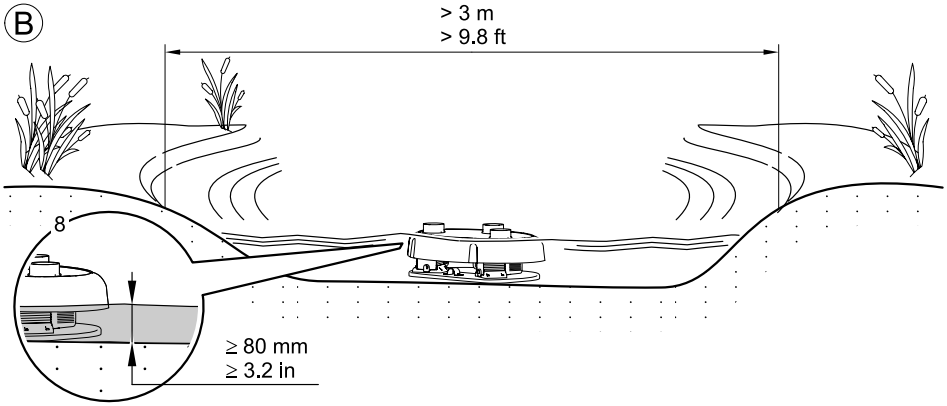
Lea las instrucciones de uso.

Achtung!

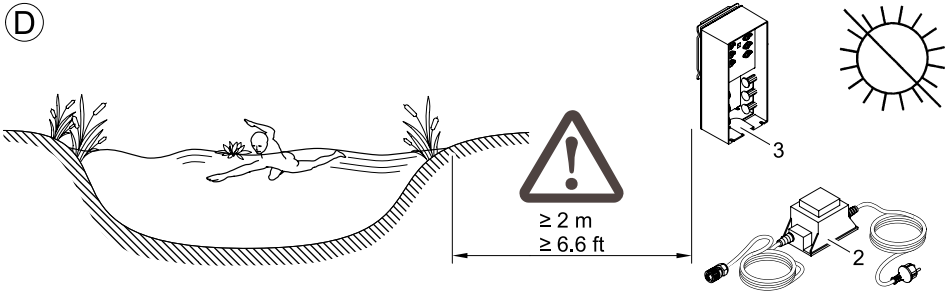
Lesen Sie die Gebrauchsanweisung.

A

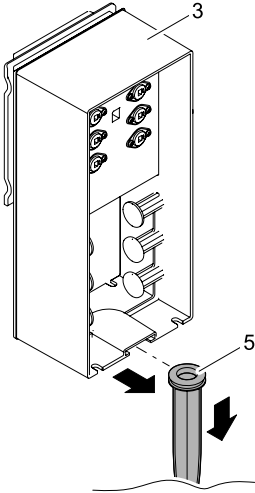




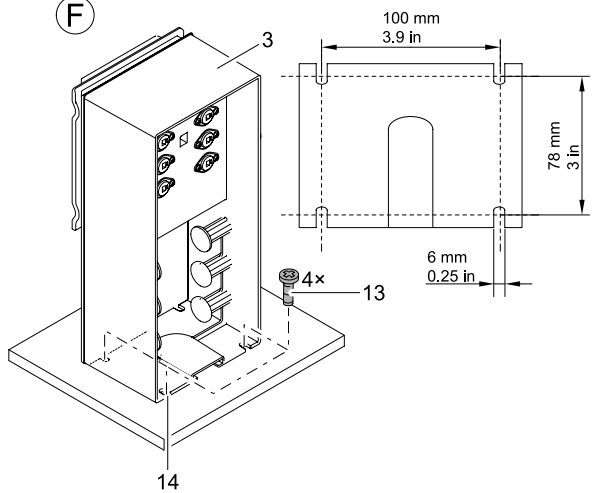
D



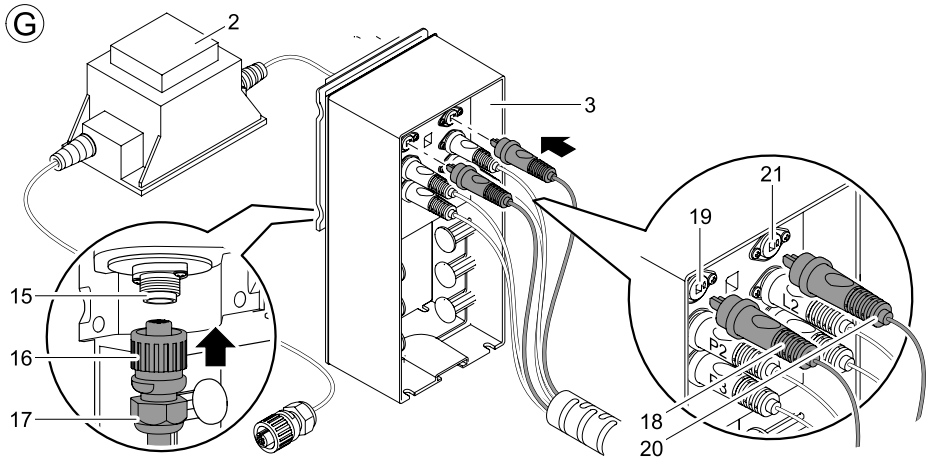
E

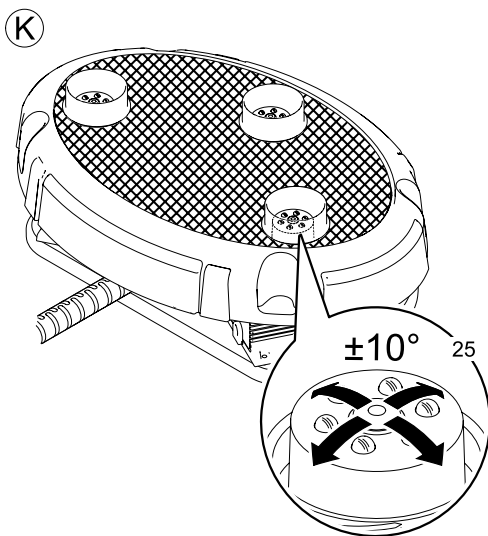
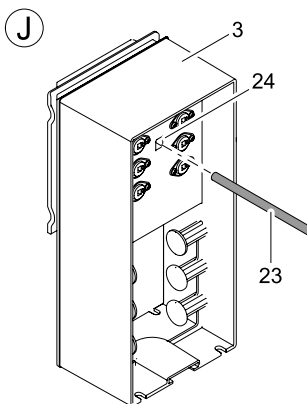
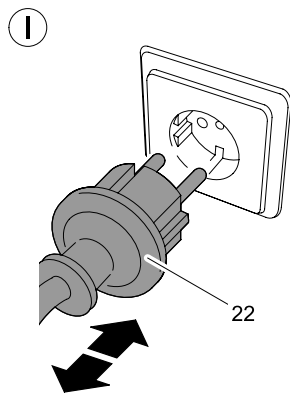
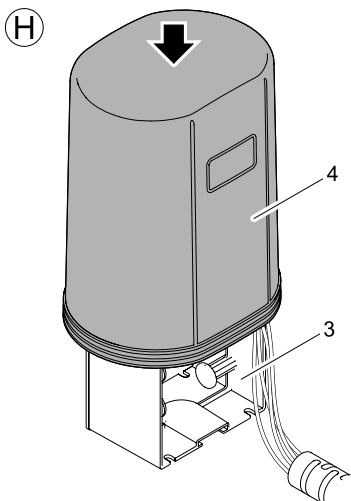


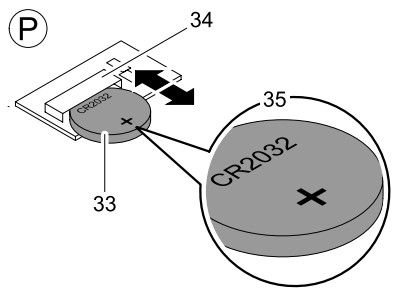
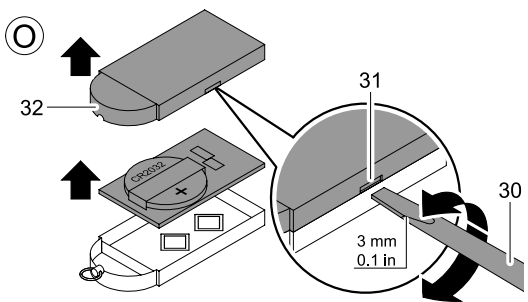
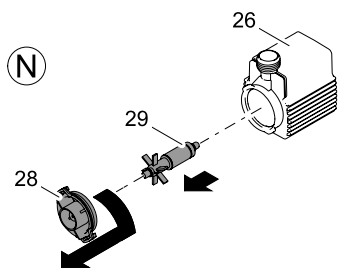
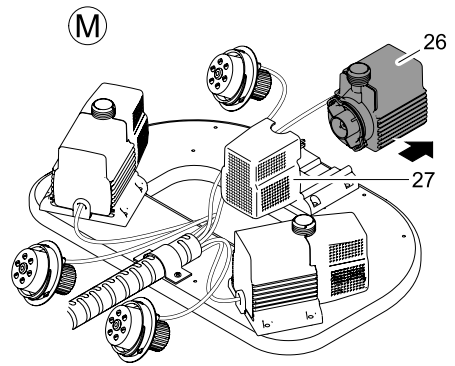
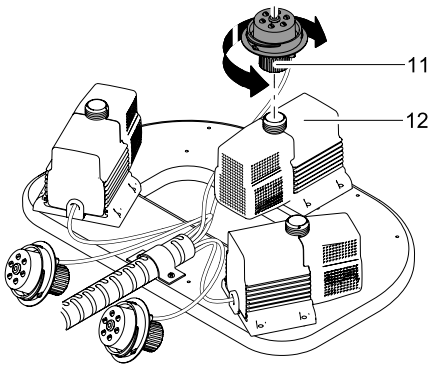
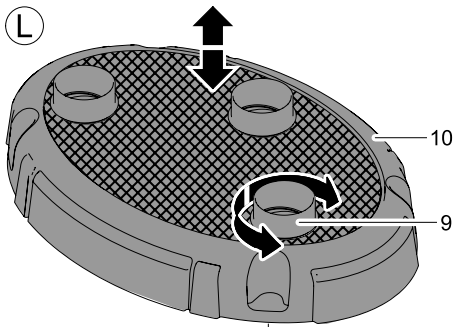
F



G







Information about this operating manual

Please read the operating instructions and familiarise yourself with the unit prior to using it for the first time. Adhere to the safety information for the correct and safe use of the unit.

Please keep these operating instructions in a safe place! Also hand over the operating instructions when passing the unit on to a new owner. Ensure that all work with this unit is only carried out in accordance with these instructions.

Scope of delivery

Water Trio/Quintet (A)

Fig. A	Number of Water Trio	Number of Water Quintet	Description
1	1	1	Water feature fountain Water Trio / Water Quintet
2	1	1	Transformer
3	1	1	12 V control box
4	1	1	Protection hood
5	1	1	Ground stake
6	6	10	Extension tube
7	1	1	Hand-held transmitter (incl. battery, type CR 20 32)

Intended use

The „Water Trio / Water Quintet“ series, referred to as unit in the following, is a water feature fountain with LED lighting for permanent installation. Only operate the unit with clean pond water at a water temperature between 4°C and +35°C (39-95°F) and an operating voltage of 120 Volt.

The unit is suitable to operate in **swimming ponds (D)** while respecting the national regulations for installers, and in water basins on patios having a minimum diameter of 3 m (10 ft).

Use other than that intended

Danger to persons can emanate from this unit if it is not used in accordance with the intended use and in the case of misuse. If used for purposes other than that intended, our warranty and operating permit will become null and void.

Safety information



Safety information

- Check that the power supply information on the type plate of your unit coincides with your power supply.
- Only connect the unit to a grounded power supply with a fault current protection switch meeting the local or national regulations (e.g. NEC, UL, CSA, IEC). In case of doubt, contact an approved electrician.
- Do not use additional components, extension/connection/adapter cables, which are not grounded.
- Never operate the unit when persons are in the water!
- Ensure that the installations in and at the pond meet with the local and national installation regulations. In case of doubt, contact an approved electrician.
- Isolate the mains voltage at all poles prior to starting work on the unit.
- Never carry or pull the unit by the connection cable.
- Keep open cable ends, contacts, plugs or connection points dry.
- Do not put the unit into operation if the cable or housing is damaged.
- Route the cables such that they are protected from possible damage.
- Never open the unit, unless described in these instructions. Only the manufacturer is entitled to carry out repairs or the exchange of unit cables.

ATTENTION This unit is intended to be operated in the garden. **Do not** use it in swimming pools, jacuzzis, whirlpools, etc.



Correct electrical installation

- Oase units must be grounded and fused according to the directions via a fault current protection switch (fault current < 30 mA).
- Contact your local electric company regarding the electrical connection values or prerequisites for electrical installations.
- Should the connection cable be too short, we recommend to call in an approved professional electrician to install a connection point within reach of the connection cable or an approved cable extension .
- Avoid excessive bending or chafing of cables.
- Every modification to the unit is commensurate with non-observance of the CSA approval or its directives. In such a case every guarantee or warranty becomes null and void.

**WARNING**

Risk of electrocution! **Ensure that the cable connection points and their surroundings are dry.**

The safety transformer and the plug connector of the power cables supplied are not water-tight, but only rain and splash-proof. Do not route or fit in the water. Protect the plug connection from moisture. The safety transformer must have a minimum distance to the pond edge of 2 m (6.6 ft). Route the connection cable so that damage is excluded. Only use cables approved for outside use.

Only use the unit with the attendant safety transformer contained in our scope of delivery. Never open the housing or its attendant components, unless this is explicitly mentioned in the operating instructions. Always disconnect the power supply of all units located in water and of this unit prior to performing work on the unit! For your own safety, consult a qualified electrician if you have questions or encounter problems!



Important! The unit is equipped with a permanent magnet. The magnetic field may affect the function of pacemakers.

**What you should do**

- Isolate all units in the pond from the mains at all poles prior to starting work on the unit.
- Isolate all units in the pond from the mains at all poles prior to going in the water.
- Commission an approved professional electrician to carry out and service all electrical installations.
- At the first sign of a problem, disconnect the unit from the mains at all poles.

**What not to do**

- Do not use the unit if persons are in the water.
- Do not shorten the connection cable.
- Do not remove the earth conductor or the earth contact.
- Do not carry or pull the unit by the connection cable.
- Do not attempt to open the housing.
- Never remove the legends from the unit or the connection cable.
- Avoid pinching, bending or damaging the connection cable. A small cut, even only in the outer jacket, could be sufficient to allow water to soak into the cable. When you detect damage, take the unit out of operation immediately and remove it from the water. Ask your OASE dealer how to proceed further. Never forget: every damage to the connection cable implies a high risk of electrocution. Should the unit be operated anyway, every guarantee or warranty will immediately expire.

Important safety information**Please read these instructions carefully prior to starting up the unit!**

The water system on which the operation of this product is based requires utmost care and maintenance, possibly also the use of chemicals, in order to prevent and keep the occurrence of micro-organisms and harmful bacteria, especially legionellae that are responsible for legionnaire's disease, under control. Non-observance of this information about correct maintenance and care can entail the spreading of harmful bacteria. Due to the fact that for decorative purposes, water nozzles distribute water in the air, water droplets containing harmful bacteria can enter your lungs and cause life-threatening diseases.

It is the responsibility of the owner of the water system and its attendant units to ensure their maintenance and care in compliance with the laws, directives and instructions laid down for this purpose. In order to avert harmful contamination, we urgently recommend the user to ensure cleaning and care of the water system and the water feature including the nozzle, and to take all necessary measures to maintain the technical units, such as pumps, hoses, tubes, cable clamp connectors, under-water lighting and nozzles to keep them in functional order in line with safety aspects. However, the maintenance and care obligation is not limited to the technical products supplied, but encompasses the entire system.

We also recommend the owner to keep records of the dates when maintenance and care was carried out, and to document all water tests made in conjunction with the water feature.

The owner is solely responsible for guaranteeing the safety of the water feature. Use or maintenance of the units sold and the system are beyond OASE'S influence. OASE can only be held liable for manufacturing faults of OASE units.

Installation



Attention! Dangerous electrical voltage.

Unit sections, connections and pond water could carry dangerous voltage if the electrical installation of the unit is incorrectly performed.

Possible consequences: Death or severe injury when touching unit sections, connections or in the event of contact with the pond water.

Protective measures:

- Install transformer and 12 V control box at a dry, splash-water protected place. Additionally protect the 12 V control box against sun radiation (max. 40 °C / 104 °F).
- During operation, ensure that both the transformer and the 12 V control box are placed at a 2 m (6,6 ft) safety distance from the bank (D).

Installation

Installing the Water Trio / Water Quintet (B, C):

Variant 1 (B):

- Install the unit as horizontally as possible in the water on a firm ground.
- The minimum water level must be just above the pumps (8).

Variant 2 (C):

In the case of excessive water depth, the extension tubes (6) can be used to compensate. If not sufficient, select a different suitable place of installation.

- To open, release the nozzle holders (9) by slightly turning them at the housing top section (10) and remove.
- Unscrew the LED light nozzle (11).
- Screw the extension tubes (6) between the LED light nozzles (11) and the pumps (12).
- Close the unit by placing the housing top section (10) on the LED light nozzles (11) and fasten using the nozzle holders (9).
- Install the unit as horizontally as possible in the water on a firm ground.
- The minimum water level must be just above the pumps (8).

Note: Ensure that the water inlet at the unit underside is not impaired!

Installation of the 12 V control box (E, F):

Variant 1 (E):

- Push the ground stake (5) fully into the ground at the desired position.
- Slide the 12 V control box (3) onto the ground stake (5).

Variant 2 (F):

- Screw the 12 V control box (3) to the ground using 4 screws (13) (not included in our scope of delivery) through the fastening slots (14) in the housing of the 12 V control box (3).

Installation of the transformer (G):

Install the transformer (2) close to the 12 V control box (3).

Note: Ensure that the cables are routed strain relieved!

Electrical installation

'Connect Water Trio / Water Quintet to 12 V control box (G, H):

- Plug the pump plugs (18) from Water Trio / Water Quintet and the LED light nozzle plugs (20) into the respective sockets for the pump (19) and the LED light nozzles (21) of the 12 V control box (3). Note the order of the plugs (plugs are marked).
- Insert the connection cable (17) of the transformer in the rear socket (15) of the 12 V control box (3), then screw-tighten the cable with the union nut (16).
- Fit the protection sleeve (4) over the 12 V control box (3).

Start-up



Caution! Do not damage the unit.

Protective measures: Never run the unit without water.

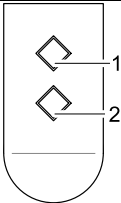
The unit switches on automatically when connected to power. **Attention: Note DC +/- polarity.**

Switching on the unit (I): Plug the power plug (22) of the transformer into the socket.

– The Water Trio / Water Quintet starts with program 1 (see chapter Operation).

Switching off the unit (I): Disconnect the power plug (22) of the transformer.

Operation

	<p>The manual transmitter can be used to select 9 programmed water feature patterns. Program 1 appears automatically when starting up and with each new start of the unit.</p> <p>P0 Unit off, stand-by mode</p> <p>P1 All fountains active, fixed height up to max. 30 cm (1 ft) Light on for all fountains</p> <p>P2 All fountains active, fixed height up to max. 70 cm (2,3 ft) Light on for all fountains</p> <p>P3 All fountains active, dynamic fountain height, max. 70 cm (2,3 ft) high Light on for all fountains</p> <p>P4 One fountain each alternatingly active in intervals, max. 70 cm (2,3 ft) high Light switched on for each active fountain</p> <p>P5 All fountains active, fixed height up to max. 110 cm (3,6 ft) Light on for all fountains</p> <p>P6 All fountains active, dynamic fountain height, max. 110 cm (3,6 ft) high Light on for all fountains</p> <p>P7 One fountain each alternatingly active in intervals, max. 140 cm (4,6 ft) high Light switched on for each active fountain</p> <p>P8 All fountains active, dynamic fountain height, max. 140 cm (4,6 ft) high Light on for all fountains</p> <p>P9 Several fountains alternatingly active, max. 140 cm (4,6 ft) high Light switched on for the respective active fountains</p> <p>Select next program: Button 1 Select previous program: Button 2</p> <p>Note:</p> <ul style="list-style-type: none"> – Program 1 always starts when Water Trio / Water Quintet is switched on by a timer. – Fountain heights can be varied.
---	--

The manual transmitter as part of our scope of delivery is taught in for the 12 V control box. The 12 V control box has to be adapted to every further manual transmitter.

Teaching-in manual transmitter (J):

The receiver is equipped with a teach-in button (24) to adapt the 12 V control box to the transmission signal of the manual transmitter.

- Insert a pin (23) into the opening for the teach-in button (24) until you feel a resistance. Keep pressing in the pin (23) until this resistance is overcome. The teach-in button (24) is then activated.
- Actuate the teach-in button (24) using the pin (23) for approx. 1 sec.
- Press any button of the manual transmitter for at least 1 sec.

Deleting the manual transmitter (J):

- Actuate the teach-in button (24) using a pin (23) for at least 5 sec.

This deletes all manual transmitters stored in the receiver.

Note: A maximum of 10 manual transmitters can be set to the receiver. The manual transmitter has a maximum range of 80 m (260 ft). Obstacles between transmitter and receiver, a low battery in the manual transmitter, or electromagnetic radiation of electrical equipment will impair the range.

– Aligning the water jet (K):

- Adjust the individual movable nozzles to align the water jet (5).

Maintenance and cleaning

Disconnect the power plugs of all other units in the water prior to starting work on the unit (I)!

Cleaning the unit (L, M, N):

- To open, release the nozzle holders (9) by slightly turning it at the housing top section (10) and remove.
- Unscrew the LED light nozzles (11) and, if fitted, the extension tubes (6) (see Fig. C).
- Laterally slide the respective pump (26) out of the engagement holder of the filter basket (27).
- Slightly turn the pump cover to disengage (28), then remove the impeller (29).
- Clean all components under running water using a brush.

Reassembling the unit:

Reassemble the unit in the reverse order (L, M, N).

Note: Push the pump housing into the filter basket until it tangibly engages.

Battery change in the manual transmitter (O, P):



Improper handling can lead to damage to the manual transmitter!

Touch a bare metal surface (e.g. a radiator) to discharge static charges, which could lead to damage to the internal components of the manual transmitter!

Ensure that neither dirt nor moisture can enter the manual transmitter!

- Guide a slot screwdriver (30) into the lateral opening (31) of the manual transmitter.
- Open the manual transmitter housing by slightly turning the screwdriver, then remove the housing bottom section (32).
- Pull the battery (33) out of the holder (34).
- Push the new battery into the holder (34). Ensure that the embossed side (35) of the battery points upward.

Storage/Over-wintering

Remove the unit at temperatures below zero degrees centigrade. Thoroughly clean and check the unit for damage. Store the Water Trio / Water Quintet frost protected and submersed in a water filled container. Do not immerse the plug.

Disposal

Dispose of the unit in accordance with the national legal regulations.

Remedy of faults

Malfunction	Cause	Remedy
Pumps do not start	No mains voltage	Check mains voltage Check supply lines
Unit does not respond to manual transmitter	Manual transmitter not taught in	Teach-in manual transmitter
Insufficient fountain height	Impeller blocked or soiled	Clean impeller
	Pump strainer casing soiled	Clean strainer casing
	Nozzles soiled	Clean nozzles
Unit switches off after a brief running time (approx. 10 s)	Water temperature too high	Note maximum water temperature of + 35°C. For switching on again, pull the power plug and reinsert in the socket.
	Pumps run dry	Check water level and, if necessary, top up the water. For switching on again, pull the power plug and reinsert in the socket.

Limited Warranty

This product is covered by a **two-year** limited warranty by OASE. The limited warranty period commences on the original purchase date and covers material and production defects, or failure of the product to operate as specified by OASE during the duration of the limited warranty period.

This limited warranty does not cover failure or problems relating to:

- Improper or incorrect installation of the product (refer to these instructions of use regarding proper installation);
- Modification of the product in any way including attempts to repair the product by someone other than an OASE authorized repair technician;
- Normal wear and tear (including, but not limited to, wear and tear related to pump impellers, filter mats and filter media in filters, bulbs in lights and UV water treatment basins);
- Failure to observe or follow safety, care and maintenance instructions as outlined in these instructions for use or as set forth by OASE from time to time;
- Defects resulting from improper treatment;
- Defects and damage resulting from product misuse (including, but not limited to, non-observance of the instructions for use).

OASE's sole liability under this limited warranty shall be to replace or repair the product covered by this limited warranty. OASE shall not be held liable for any consequential damage to any other part of the water garden, pond, water feature system, landscape, structure or the contents of any structure where the product is located or used, construction or part of the construction where the product is located or used, including no liability for damage or harm to fish, animals or water plants in, around or surrounding the water garden, pond or water feature system.

THE EXPRESS WARRANTIES SET FORTH HEREIN ARE THE ONLY WARRANTIES WITH RESPECT TO THE PRODUCTS, AND THE REMEDIES SET FORTH HEREIN ARE THE EXCLUSIVE REMEDIES IN THE EVENT OF A BREACH OF SUCH WARRANTIES. OASE EXPRESSLY DISCLAIMS ANY IMPLIED WARRANTY OF MERCHANTABILITY OR FITNESS FOR A PARTICULAR PURPOSE. OASE SHALL NOT BE LIABLE UNDER ANY CIRCUMSTANCES FOR INCIDENTAL OR CONSEQUENTIAL DAMAGES OF ANY NATURE, FOR ANY BREACH OF SUCH WARRANTIES OR OTHERWISE.

Some states do not allow the exclusion or limitation of incidental or consequential damages, to the above limitation may not apply to you.

Should your OASE product be defective or fail under the terms of this limited warranty, you should return the product to your OASE dealer, along with your original receipt of purchase and any other limited warranty documentation you have, for replacement or repair.

Should you have question regarding this limited warranty, please send an email to OASE at warranty@oase-livingwater.com.

Guarantee on request / extension of the restricted guarantee period

Please fill in this guarantee on request card or register online

under www.oase-livingwater.com. You will obtain a 1 year extension of your restricted guarantee period. As soon as your data is received by OASE, we will send you your guarantee certificate covering the extension by e-mail or post. Please print this certificate out and keep it together with the purchase receipt.

Remarques concernant cette notice d'emploi

Avant la première utilisation, lire attentivement cette notice d'emploi et se familiariser avec l'appareil. Respecter impérativement les indications de sécurité relatives à une utilisation correcte et en toute sécurité.

Prière de conserver soigneusement cette notice d'emploi ! Lors d'un changement de propriétaire, transmettre également cette notice d'emploi. Tous les travaux effectués avec cet appareil devront être exécutés conformément aux directives ci-jointes.

Pièces faisant partie de la livraison

Water Trio/Quintet (A)

Figure A	Nombre de Water Trio	Nombre de Water Quintet	Description
1	1	1	Fontaine à jeux d'eau Water Trio / Water Quintet
2	1	1	Transformateur
3	1	1	Boîtier de commande à 12 V
4	1	1	Capot de protection
5	1	1	Perche de mise à la terre
6	6	10	Tuyau de rallonge
7	1	1	Emetteur à main (pile comprise, type CR 20 32)

Utilisation conforme à la finalité

La série « Water Trio / Water Quintet », nommée par la suite « appareil », est une fontaine à jeux d'eau avec éclairage à diode DEL pour installation fixe. L'appareil ne peut être exploité exclusivement qu'avec de l'eau de bassin propre à une température de l'eau allant de +4°C à +35°C (39-95°F) et avec une tension de service de 120 volts.

Cet appareil est conçu pour être utilisé dans des **bassins et des piscines (D)** dans le respect de prescriptions nationales de construction et sur des terrasses dans des récipients ayant au moins un diamètre de 3 m (10 ft).

Utilisation non conforme à la finalité

En cas d'utilisation non conforme à la finalité et de manipulation non appropriée de cet appareil, des risques pour les personnes peuvent en résulter. Toute utilisation non conforme à la finalité entraîne l'annulation de notre responsabilité ainsi que celle de l'autorisation d'exploitation générale.

Consignes de sécurité



Consignes de sécurité

- Vérifier si les indications concernant l'alimentation en courant sur la plaque signalétique de votre appareil correspondent à celles se trouvant sur votre raccordement au secteur.
- Ne raccorder l'appareil qu'à un réseau électrique mis à la terre disposant d'un disjoncteur différentiel et correspondant aux règlements locaux et nationaux (p. ex. NEC, UL, CSA, IEC). En cas de doute, contacter un électricien agréé.
- N'utiliser aucun élément de construction, aucun câble de rallonge, ni de raccordement, ni d'adaptation supplémentaires s'ils ne sont pas mis à la terre.
- Ne jamais utiliser l'appareil lorsque des personnes se trouvent dans l'eau.
- S'assurer que les installations se trouvant dans le bassin et près du bassin correspondent bien aux directives d'installation locales et nationales. En cas de doute, contacter un électricien agréé.
- Débrancher la tension de réseau sur tous les pôles avant d'effectuer des travaux au niveau de l'appareil.
- Ne jamais porter ni tirer l'appareil par le câble de raccordement.
- Tenir au sec les extrémités de conduite, les contacts, les fiches ou les points de raccordement ouverts.
- Ne pas mettre l'appareil en service si la conduite ou le carter présentent un endommagement.
- Poser les conduites de manière à ce qu'elles soient protégées contre des endommagements éventuels.
- Ne jamais ouvrir l'appareil si cela n'est pas décrit dans cette notice. Les réparations ou le remplacement de conduites au niveau de l'appareil ne peuvent être effectués que par le constructeur.

ATTENTION Cet appareil est conçu pour une exploitation dans le jardin. **Ne pas** l'utiliser dans des piscines, des bains à remous, des jacuzzis, etc.



Installation électrique correspondant aux prescriptions

- Les appareils Oase doivent être protégés, conformément à la réglementation, en mise à la terre, par un disjoncteur différentiel (courant de défaut < 30 mA).
- Demander à votre fournisseur d'électricité local quelles sont les valeurs de raccordement électriques ou les conditions préalables pour les installations électriques.
- Si le câble de raccordement est trop court, nous vous conseillons de charger un électricien agréé d'installer un point de raccordement à portée du câble de raccordement ou une rallonge de câble autorisée.
- Éviter de plier ou de frotter les conduites à outrance.
- Toute modification au niveau de l'appareil signifie un non-respect de l'homologation CSA ou de ses dispositions. Ce cas entraîne l'annulation de la garantie légale ou de la garantie commerciale.



AVERTISSEMENT

Danger d'électrocution ! **Veiller à ce que les points de branchement de câble soient maintenus au sec.**

Le transformateur de sécurité et le raccordement à fiche des lignes électriques faisant partie des fournitures ne sont pas étanches, mais simplement protégés contre l'eau de pluie et les projections d'eau. Ils ne doivent être posés voire montés qu'en dehors de l'eau. S'assurer que la prise est à l'abri de l'humidité. Le transformateur de sécurité doit disposer d'un écart minimum de 2 m (6,6 ft) par rapport au bord du bassin. Protéger le câble de raccordement afin qu'il ne soit pas endommagé. N'employer que des câbles réservés à une utilisation en extérieur.

Utiliser l'appareil exclusivement avec le transformateur de sécurité correspondant faisant partie des fournitures. Ne jamais ouvrir le carter ou des parties y appartenant si cela n'est pas expressément indiqué dans la notice d'emploi. Toujours retirer la prise secteur de tous les appareils se trouvant dans l'eau et de cet appareil avant de procéder à des travaux sur cet appareil ! En cas de questions et de problèmes, prière de vous adresser à un électricien et ce, pour votre propre sécurité !



Important ! L'appareil est équipé d'un aimant permanent. Le champ magnétique peut influencer un stimulateur cardiaque.



Ce qu'il faut faire

- Débrancher du secteur, sur tous les pôles, tous les appareils se trouvant dans le bassin avant de procéder à des travaux sur l'appareil.
- Débrancher du secteur, sur tous les pôles, tous les appareils se trouvant dans le bassin avant d'entrer dans l'eau.
- Confier le montage et l'entretien des installations électriques à un électricien agréé.
- Débrancher l'appareil du secteur, sur tous les pôles, dès les premiers signes d'un problème.



Ce qu'il ne faut pas faire

- Ne pas utiliser l'appareil lorsque des personnes se trouvent dans l'eau.
- Ne pas raccourcir le câble de raccordement.
- Ne pas retirer le conducteur ou le contact de mise à la terre.
- Ne pas porter ni tirer l'appareil par le câble de raccordement.
- Ne pas essayer d'ouvrir l'appareil.
- Ne retirer en aucun cas les marquages sur l'appareil ou sur le câble de raccordement.
- Éviter de coincer, de tordre ou d'endommager le câble de raccordement. Une petite entaille, même si ce n'est qu'au niveau de la gaine extérieure, peut suffire à ce que de l'eau pénètre dans le câble. Dès que vous remarquez un endommagement, mettre immédiatement l'appareil hors circuit et le retirer de l'eau. Consulter votre revendeur OASE pour la procédure à suivre. Prendre en compte le fait que tout endommagement implique un risque sérieux d'électrocution. Si l'appareil continue néanmoins à être utilisé, ceci entraîne l'annulation de la garantie légale ou de la garantie commerciale.

Important conseil de sécurité

Lire impérativement cette notice d'emploi attentivement avant de mettre l'appareil en service !

Le système d'eau qui est à la base de l'exploitation de ce produit, nécessite des soins et un entretien attentifs, ainsi qu'éventuellement, l'utilisation de produits chimiques pour contrôler les micro-organismes et bactéries pathogènes, en particulier les légionelles, responsables de la maladie du légionnaire. Le non-respect de ces consignes pour la maintenance et l'entretien corrects peuvent entraîner la prolifération de bactéries dangereuses pour la santé. Du fait que les ajutages projettent de l'eau dans l'air à des fins décoratives, des gouttes d'eau contenant des bactéries présentant un danger pour la santé peuvent atteindre les poumons et causer des maladies mettant la vie en péril.

Il incombe au propriétaire du système d'eau et des appareils correspondants d'assumer la responsabilité de leur maintenance et de leur entretien selon les lois et les directives en vigueur ainsi que les instructions de service à disposition. Afin d'éviter des impuretés malsaines, nous conseillons instamment au propriétaire de s'occuper du nettoyage et de l'entretien du système d'eau et du jeu d'eau, y compris l'ajutage, ainsi que de prendre toutes les mesures néces-

saires pour un entretien des appareils techniques tels que les pompes, les tuyaux flexibles, la tuyauterie, les raccordements serre-câbles, l'éclairage sous-marin et les ajutages, dans le respect de leur fonctionnement et de la sécurité. Le devoir de maintenance et d'entretien n'est cependant pas limité aux produits techniques livrés, mais s'étend bien plus à la totalité du système.

Le propriétaire devrait également documenter tous les comptes-rendus et toutes les données concernant la maintenance et l'entretien ainsi que tous les tests effectués en relation avec le jeu d'eau.

La responsabilité de la garantie de la sécurité du jeu d'eau incombe en fin de compte au propriétaire et à lui seul. OASE n'a aucune influence sur l'utilisation ou la maintenance des appareils vendus et du système. OASE ne peut être rendu responsable que des erreurs de fabrication des appareils OASE.

Montage



Attention ! Tension électrique dangereuse.

Une installation électrique incorrecte risque d'entraîner une mise sous tension dangereuse des parties de l'appareil, des raccordements ou de l'eau du bassin.

Conséquences éventuelles : mort ou blessures graves lors du contact avec les parties de l'appareils, les raccordements ou de l'eau du bassin.

Mesures de protection

- Mettre le transformateur et le boîtier de commande à 12 V en place au sec afin qu'ils soient protégés des éclaboussures. Protéger en plus le boîtier de commande à 12V des rayons du soleil (max. 40 C / 104 °F).
- En utilisation, le transformateur et le boîtier de commande à 12 V doivent être installés à une distance de sécurité d'au moins 2 m (6,6 ft) de la berge (D).

Mise en place

Mise en place du Water Trio / Water Quintet (B, C):

Variante 1 (B):

- Placer l'appareil en position horizontale dans la mesure du possible sur une surface stable dans l'eau.
- Le niveau d'eau minimal doit se trouver juste au-dessus de la pompe (8).

Variante 2 (C):

Si la profondeur de l'eau est trop importante, elle peut être compensée par l'apport de tuyaux de rallonge (6). Sinon, choisir impérativement un autre lieu de mise en place, mieux adapté.

- Pour ouvrir, desserrer le support de l'ajutage (9) par une légère rotation au niveau de la partie supérieure du carter (10) et le retirer.
- Dévisser la buse à diode DEL (11).
- Visser les tuyaux de rallonge (6) entre les buses à diode DEL (11) et les pompes (12).
- Fermer l'appareil en plaçant la partie supérieure du carter (10) sur les buses à diode DEL (11) et en la fixant avec les supports de buse (9).
- Placer l'appareil en position horizontale dans la mesure du possible sur une surface stable dans l'eau.
- Le niveau d'eau minimal doit se trouver juste au-dessus de la pompe (8).

Remarque : veiller à ce que l'alimentation en eau au niveau de la partie inférieure de l'appareil ne soit pas entravée !

Mise en place du boîtier de commande à 12V (E, F) :

Variante 1 (E):

- Enfoncer toute la longueur de la perche de mise à la terre (5) dans le sol en position voulue.
- Faire glisser le boîtier de commande à 12V (3) sur la perche de mise à la terre (5).

Variante 2 (F):

- Visser, sur la surface, le boîtier de commande à 12V (3) avec 4 vis (13) (ne font pas partie de la livraison) dans les fentes pour vis (14) prévues dans le carter du boîtier de commande à 12V (3).

Mise en place du transformateur (G):

Mettre le transformateur (2) en place à proximité du boîtier de commande à 12V (3).

Remarque : veiller à une pose des câbles exempte de tension !

Installation électrique

Raccorder le Water Trio / Water Quintet au boîtier de commande à 12V (G, H):

- Insérer les fiches mâles de pompe venant du Water Trio / Water Quintet (18) et les fiches mâles de buses à diodes DEL (20) dans les fiches femelles correspondantes pour la pompe (19) et les buses à diodes DEL (21) du boîtier de commande à 12V (3). Respecter l'ordre des fiches mâles (marques sur les fiches mâles)
- Insérer le câble de raccordement (17) du transformateur dans la fiche femelle arrière (15) du boîtier de commande à 12V (3) et le visser avec l'écrou d'accouplement (16) fest.
- Placer l'enveloppe protectrice (4) sur le boîtier de commande à 12V (3).

Mise en service



Attention ! Endommagement de l'appareil.

Mesures de protection : Ne jamais utiliser l'appareil sans débit d'eau.

L'appareil se met automatiquement en marche dès que vous avez établi la connexion avec le réseau. **Attention : tenir compte de la polarité CC +/-.**

Mise en circuit de l'appareil (I): brancher la prise de secteur **(22)** du transformateur dans la prise de courant.

– Le Water Trio / Water Quintet démarre avec le programme 1 (voir paragraphe Exploitation).

Mise hors circuit de l'appareil (I): retirer la fiche de secteur **(22)** du transformateur.

Exploitation

	<p>L'émetteur à main vous permet de sélectionner 9 jeux d'eau fixes programmés. Lors de la mise en service et pour chaque remise en circuit de l'appareil, le programme 1 est sélectionné automatiquement.</p> <p>P0 Appareil éteint, mode en veille</p> <p>P1 Toutes les fontaines sont actives, hauteur fixe jusqu'à un maximum de 30 cm (1 ft) La lumière est allumée pour toutes les fontaines</p> <p>P2 Toutes les fontaines sont actives, hauteur fixe jusqu'à un maximum de 70 cm (2,3 ft) La lumière est allumée pour toutes les fontaines</p> <p>P3 Toutes les fontaines sont actives, hauteur de fontaine dynamique d'un maximum de 70 cm (2,3 ft) La lumière est allumée pour toutes les fontaines</p> <p>P4 Une fontaine est active à intervalles, en alternance, hauteur maximale de 70 cm (2,3 ft) La lumière est activée pour la fontaine respectivement active</p> <p>P5 Toutes les fontaines sont actives, hauteur fixe jusqu'à un maximum de 110 cm (3,6 ft) La lumière est allumée pour toutes les fontaines</p> <p>P6 Toutes les fontaines sont actives, hauteur de fontaine dynamique d'un maximum de 110 cm (3,6 ft) La lumière est allumée pour toutes les fontaines</p> <p>P7 Une fontaine est active à intervalles, en alternance, hauteur maximale de 140 cm (4,6 ft) La lumière est activée pour la fontaine respectivement active</p> <p>P8 Toutes les fontaines sont actives, hauteur de fontaine dynamique d'un maximum de 140 cm (4,6 ft) La lumière est allumée pour toutes les fontaines</p> <p>P9 Plusieurs fontaines sont actives en alternance, hauteur maximale de 140 cm (4,6 ft) La lumière est activée pour les fontaines respectivement actives</p> <p>Sélection du programme suivant: touche 1 Sélection du programme précédent: touche 2</p> <p>Remarque :</p> <ul style="list-style-type: none"> – Si le Water Trio / Water Quintet est mis en circuit par un minuteur automatique, il démarre toujours avec le programme 1. – Des divergences dans les hauteurs de fontaine sont possibles.
--	---

L'émetteur à main faisant partie de la livraison est déjà programmé pour commander le boîtier de commande à 12 V. Le boîtier de commande à 12 V doit être programmé pour chaque nouvel émetteur à main.

Effectuer l'apprentissage de l'émetteur à main (J):

Le récepteur est équipé d'une touche de programmation **(24)** qui permet le réglage du boîtier de commande à 12V sur le signal d'émission de l'émetteur à main.

- Introduire un crayon **(23)** dans l'orifice de la touche de programmation **(24)** jusqu'à ce qu'une résistance soit ressentie. Continuer à exercer une pression sur le crayon **(23)** pour passer au-delà de la résistance. La touche de programmation **(24)** est activée.
- Actionner la touche de programmation **(24)** au moyen du crayon **(23)** pendant env. 1 s.
- Appuyer pendant au moins 1 seconde sur une touche quelconque de l'émetteur à main.

Effacement de l'émetteur à main (J):

- Actionner la touche de programmation **(24)** au moyen d'un crayon **(23)** pendant au moins 5 s.

Tous les émetteurs à main mémorisés dans le récepteur sont effacés.

Remarque : Il est possible de régler jusqu'à 10 émetteurs à mains sur le récepteur. La portée maximale de l'émetteur à main est de 80 m (260 ft). Des obstacles entre l'émetteur et le récepteur, une pile faible de l'émetteur à main ou un rayonnement électromagnétique des appareils électriques réduisent la portée.

- **Régler la direction du jet d'eau (K):**
- Ajuster les ajustages individuels mobiles **(25)** pour régler la direction du jet d'eau.

Nettoyage et entretien

Avant le début des travaux avec l'appareil, retirer les prises de secteur de tous les appareils se trouvant dans l'eau (!) !

Nettoyage de l'appareil (L, M, N):

- Pour ouvrir, desserrer le support de l'ajutage (9) par une légère rotation au niveau de la partie supérieur du carter (10) et le retirer.
- Dévisser les buses à diodes DEL (11) et le cas échéant, les tuyaux de rallonge (6) (voir figure C).
- Faire glisser la pompe correspondante (26) latéralement hors de la fixation à encliquetage du panier de filtration (27).
- Libérer le couvercle de la pompe (28) par une rotation légère et retirer la turbine (29).
- Nettoyer toutes les pièces à l'eau courante avec une brosse.

Assemblage de l'appareil:

Montage de l'appareil dans l'ordre inverse (L, M, N).

Remarque : faire glisser le carter de la pompe dans le panier de filtration jusqu'à ce que l'encliquetage se fasse remarquer.

Remplacement de la pile dans l'émetteur à main (O, P):



Tout traitement inapproprié peut endommager l'émetteur à main !

Toucher une surface métallique nue (p. ex. un radiateur) pour dévier la charge électrostatique qui pourrait endommager les composants internes de l'émetteur à main !

Veiller à ce qu'aucun encrassement et qu'aucune humidité ne pénètrent dans l'émetteur à main !

- Introduire un tournevis plat (30) dans l'ouverture latérale (31) de l'émetteur à main.
- Ouvrir le carter de l'émetteur à main par une légère rotation du tournevis et soulever la partie inférieure du boîtier (32).
- Retirer la pile (33) du support (34).
- Faire glisser la nouvelle pile dans le support (34). Veiller à ce que le côté avec la marque (35) de la pile soit bien tournée vers le haut.

Stockage/entreposage pour l'hiver

Il est nécessaire de désinstaller l'appareil en cas de gel. Effectuer un nettoyage approfondi et contrôler la présence éventuelle de dommages sur l'appareil. Conserver le Water Trio / Water Quintet immergé, à l'abri du gel dans un récipient rempli d'eau. La prise ne doit jamais se trouver sous l'eau.

Recyclage

Recycler l'appareil conformément aux réglementations nationales légales en vigueur. Adressez-vous à votre distributeur spécialisé.

Élimination des dérangements

Dérangement	Cause	Remède
Les pompes ne démarrent pas	Aucune tension de secteur	Vérifier la tension de secteur Contrôler les conduites d'amenée
L'appareil ne réagit pas par rapport à l'émetteur à main	L'émetteur à main n'est pas programmé	Effectuer l'apprentissage de l'émetteur à main
Hauteur de fontaine insuffisante	La turbine est bloquée ou encrassée	Nettoyer la turbine
	L'enveloppe filtrante de la pompe est encrassée	Nettoyer l'enveloppe filtrante
	Les ajutages sont colmatés	Nettoyer les ajutages
L'appareil s'arrête après une courte période (env. 10 s)	La température de l'eau est trop élevée	Maintenir la température maximale de l'eau de + 35 °C. Pour la remise en circuit, retirer la prise de secteur et la rebrancher dans la prise de courant.
	Marche à sec des pompes	Contrôler le niveau d'eau et, le cas échéant, ajouter de l'eau. Pour la remise en circuit, retirer la prise de secteur et la rebrancher dans la prise de courant.

Garantie limitée

OASE offre pour ce produit une garantie limitée **de deux ans**. La durée de la garantie limitée prend effet à la date d'achat initiale et la garantie s'applique aux vices de matériau ainsi que de fabrication, ou aux vices de fonctionnement du produit qui diffèrent des fonctionnements spécifiés par OASE.

Cette garantie limitée ne s'applique pas aux vices ou problèmes causés par

- une installation incorrecte du produit (consulter les instructions de service pour une installation en bonne et due forme);
- des modifications de quelque type que ce soit, effectuées sur le produit, y compris des tentatives de réparation sur le produit qui n'auraient pas été exécutées par un technicien réparateur agréé par OASE;
- des phénomènes d'usure naturelle (tels que, entre autres, l'usure au niveau des turbines dans les pompes, des nattes filtrantes et des éléments filtrants dans les filtres, des ampoules dans les lampes et dans les cuves de clarification UV);
- le non-respect des directives de sécurité, d'entretien et de maintenance comme elles sont décrites dans ces instructions de service ou déterminées de temps en temps par OASE;
- des défauts provoqués par un traitement inapproprié;
- des défauts ou des détériorations provoqués par une utilisation abusive du produit, y compris, entre autres, le non-respect des instructions de service.

Dans le cadre de cette garantie limitée, OASE s'engage exclusivement à remplacer le produit tombant sous le coup de cette garantie limitée ou à réparer ce produit. OASE ne peut être tenue pour responsable des dommages consécutifs au niveau des jardins aquatiques, des étangs, des installations à jeux d'eau, au niveau du paysage, au niveau de la construction ou des parties de la construction dans laquelle le produit est placé ou utilisé, y compris les dommages au niveau des poissons, des animaux ou des plantes dans l'eau ou dans l'environnement des jardins aquatiques, des étangs ou des installations à jeux d'eau.

LES PRESTATIONS DE GARANTIE REPRISES EXPLICITEMENT DANS LE PRÉSENT DOCUMENT SONT LES SEULES PRESTATIONS DE GARANTIE POUR LES APPAREILS ET LES PRESTATIONS DE GARANTIE REPRISES DANS CE DOCUMENT SONT LES SEULES PRESTATIONS POSSIBLES EN CAS DE VIOLATION DE GARANTIE. OASE REFUSE EXPLICITEMENT DE GARANTIR TOUTE EXPLOITABILITÉ GÉNÉRALE (MERCHANTABILITY) OU TOUTE APTITUDE À ÊTRE EXPLOITÉE POUR UNE FINALITÉ PRÉCISE. OASE NE PEUT EN AUCUN CAS ÊTRE RENDUE RESPONSABLE DE DOMMAGES CONSÉCUTIFS FORTUITS OU MÉDIATS DE QUELQUE TYPE QUE CE SOIT, DE TOUT GENRE DE VIOLATION DE GARANTIE, NI DE TOUTE AUTRE MANIÈRE.

Quelques états fédéraux n'autorisent pas l'exclusion ou la restriction des dommages fortuits ou médiats, dans ce cas la restriction ci-dessus est sans effet pour vous.

Si votre produit OASE devait présenter un défaut ou un vice de fonctionnement dans le cadre de cette garantie limitée, emportez-le chez votre revendeur OASE, sans oublier la preuve d'achat d'origine, ni les autres documents de garantie, pour qu'il puisse le remplacer ou le réparer.

Si vous avez des questions concernant la garantie limitée, merci de les faire parvenir par courriel à l'adresse OASE suivante : warranty@oase-livingwater.com.

Garantie sur demande / prolongation de la garantie limitée

Veuillez remplir cette carte de garantie sur demande ou vous inscrire en ligne

sous www.oase-livingwater.com, et vous obtiendrez une prolongation de 1 an de votre garantie limitée. Dès que vos données seront à disposition chez OASE, nous vous enverrons votre certificat de garantie par courrier électronique ou par la poste. Veuillez imprimer ce certificat et le conserver avec la preuve d'achat.

Indicaciones sobre este manual de instrucciones de uso

Antes de utilizar por primera vez el equipo lea las instrucciones de uso y familiarícese con el mismo. Tenga necesariamente en cuenta las indicaciones de seguridad para garantizar un uso correcto y seguro del equipo.

Guarde cuidadosamente estas instrucciones de uso. Entregue estas instrucciones de uso al nuevo propietario en caso de cambio de propietario. Todos los trabajos con este equipo sólo se deben ejecutar conforme a estas instrucciones.

Volumen de suministro

Water Trio/Quintet (A)

Ilustración A	Cantidad Water Trio	Cantidad Water Quintet	Descripción
1	1	1	Surtidor de fuente Water Trio / Water Quintet
2	1	1	Transformador
3	1	1	Caja de control de 12 V
4	1	1	Cubierta protectora
5	1	1	Varilla de tierra
6	6	10	Tubo de prolongación
7	1	1	Emisor manual (incl. batería, tipo CR 20 32)

Uso conforme a lo prescrito

La serie de construcción "Water Trio / Water Quintet" que se denomina a continuación equipo es un surtidor de fuente con iluminación por LED para el emplazamiento fijo. El equipo sólo se puede operar con agua de estanque limpia a una temperatura del agua entre 4°C a +35°C (39-95°F) y una tensión de servicio de 120 voltios.

El equipo se apropia para ser empleado en **estanques para nadar y piscinas (D)** si se cumplen las prescripciones de construcción nacionales así como en recipientes de agua con un diámetro mínimo de 3 m (10 ft) que se emplacen en terrazas.

Uso no conforme a lo prescrito

En caso de un uso no conforme a lo prescrito y un tratamiento inadecuado, el equipo puede poner en peligro las personas. En caso de un uso no conforme a lo prescrito expira nuestra garantía así como el permiso de funcionamiento general.

Indicaciones de seguridad



Indicaciones de seguridad

- Compruebe si los datos sobre la alimentación de corriente en la placa de datos técnicos de su equipo coinciden con su conexión a la red.
- Conecte el equipo sólo a una red de corriente puesta a tierra con interruptor diferencial que responda a las prescripciones locales o nacionales (p. ej. NEC, UL, CSA, IEC). En caso de dudas póngase en contacto con un electricista autorizado.
- No emplee componentes adicionales, cables de prolongación, cables de conexión ni cables adaptadores que no estén puestos a tierra.
- No utilice nunca el equipo mientras hayan personas en el agua.
- Asegure que las instalaciones dentro y junto al estanque respondan a las directivas de instalación locales y nacionales. En caso de dudas póngase en contacto con un electricista autorizado.
- Antes de realizar trabajos en el equipo desconecte todos los polos de la tensión de alimentación.
- No transporte ni tire nunca el equipo por la línea de conexión.
- Mantenga secos los extremos de línea, contactos, clavijas de enchufe o puntos de conexión abiertos.
- No ponga en funcionamiento el equipo si la línea o la caja están dañados.
- Tienda las líneas de forma que estén protegidas contra posibles daños.
- No abra nunca el equipo si esto no está descrito en estas instrucciones. Sólo el fabricante puede realizar reparaciones o sustituir las líneas en el equipo.

ATENCIÓN Este equipo está prescrito para que funcione en el jardín. **No** emplee el equipo en piscinas, baños de burbujas, whirlpools, etc.



Instalación eléctrica conforme a lo prescrito

- Los equipos de Oase deben estar puestos a tierra y protegidos conforme a lo prescrito a través de un interruptor diferencial (corriente de fuga < 30 mA).
- Pregunte a su empresa eléctrica local los valores de conexión eléctricos o requisitos para las instalaciones eléctricas.
- Si la línea de conexión es muy corta recomendamos que encargue a un electricista autorizado la instalación de un punto de conexión al alcance del cable de conexión o una prolongación autorizada del cable.
- Evite un doblado o abrasión excesiva de las líneas.
- Cualquier modificación en el equipo significa un incumplimiento de la autorización CSA o sus disposiciones. En este caso expira de inmediato la garantía comercial o garantía legal.



ADVERTENCIA

¡Peligro de choque eléctrico! Tenga en cuenta que los puntos de conexión de los cables estén secos.

El transformador de seguridad y la conexión de enchufe de las conducciones de corriente contenidas en el volumen de suministro no son impermeables al agua, sino que sólo están protegidas contra la lluvia y los chorros de agua. Por esta razón estos no se deben emplazar ni montar en el agua. Proteja la conexión de enchufe contra la humedad. El transformador de seguridad tiene que tener una distancia mínima de 2 m (6,6 ft) al borde del estanque. Coloque la línea de conexión protegida para que no se dañe. Emplee sólo cables que estén prescritos para el uso exterior.

Opere sólo el equipo con el transformador de seguridad correspondiente contenido en el volumen de suministro. No abra nunca la caja o sus componentes a no ser que esto se autorice expresamente en las instrucciones de uso. Saque siempre la clavija de la red de todos los equipos que se encuentran en el agua antes de ejecutar trabajos en el equipo. En caso de preguntas y problemas diríjase para su propia seguridad a una persona especializada en eléctrica.



¡Importante! El equipo está equipado con un imán permanente. El campo magnético puede influir en el marcapasos.



¿Qué debe hacer?

- Antes de realizar trabajos en el equipo separe de la red todos los polos de todos los equipos que se encuentran en el estanque.
- Antes de entrar en el agua separe de la red todos los polos de todos los equipos que se encuentran en el estanque.
- Encargue todas las instalaciones eléctricas y su mantenimiento a un electricista autorizado.
- Separe de la red todos los polos del equipo tan pronto hayan indicios de un problema.



¿Qué no debe hacer?

- No utilice el equipo cuando hayan personas en el agua.
- No acorte la línea de conexión.
- No quite el conductor a tierra o contacto a tierra.
- No transporte ni tire el equipo por la línea de conexión.
- No trate de abrir el equipo.
- No elimine por ninguna razón las rotulaciones en el equipo o la línea de conexión.
- Evite un aplastamiento, doblado o daños de la línea de conexión. Un pequeño corte también sólo en la envoltura exterior puede ser suficiente para que entre agua en la línea. Tan pronto observe un daño ponga de inmediato el equipo fuera de servicio y sáquelo del agua. Pregunte a su comerciante OASE como debe proceder. Tenga en cuenta que cualquier daño de la línea de conexión significa un grave riesgo de choque eléctrico. Si se continúa operando el equipo expira de inmediato la garantía comercial o garantía legal.

Indicación de seguridad importante

¡Antes de poner el equipo en funcionamiento lea minuciosamente estas instrucciones!

El sistema de agua, que se toma como base para el funcionamiento de este producto, requiere un cuidado y mantenimiento minuciosos y posiblemente también el empleo de productos químicos para limitar los microorganismos y las bacterias patógenas, especialmente también las legionellas, que provocan la legionelosis. En caso de incumplimiento de esta indicación para un mantenimiento y cuidado correctos se pueden propagar las bacterias peligrosas para la salud. Dado que las toberas de agua distribuyen para fines de decoración el agua en el aire, las gotas de agua contaminadas con bacterias peligrosas para la salud puede llegar a los pulmones y provocar enfermedades que amenazan la vida.

El propietario del sistema de agua y de los equipos correspondientes es responsable del mantenimiento y el cuidado de los mismos conforme a las leyes, directivas e instrucciones válidas. Para evitar suciedades peligrosas para la salud recomendamos al propietario ocuparse necesariamente de la limpieza y del cuidado del sistema de agua y de los

efectos de fuente inclusive de la tobera así como tomar todas las medidas necesarias para mantener los equipos técnicos, como bombas, tubos flexibles, tubos, conectores de abrazaderas de cable, iluminación bajo agua y toberas en razón del funcionamiento y la seguridad. El deber de mantenimiento y cuidado no sólo se limita a los productos técnicos suministrados sino a todo el sistema.

El propietario también debe documentar todos los protocolos y datos del mantenimiento y cuidado así como todas las pruebas de agua que se ejecutaron en relación con los efectos de fuente.

Sólo el propietario es el único responsable de la seguridad de los efectos de fuente. OASE no tiene ninguna influencia en el uso o el mantenimiento de los equipos vendidos y el sistema. De OASE sólo se puede reclamar la responsabilidad de los errores de fabricación en los equipos de OASE.

Montaje



¡Atención! Tensión eléctrica peligrosa.

Una instalación eléctrica incorrecta puede conllevar a una tensión eléctrica peligrosa en las piezas del equipo, en los puntos de conexión y en el agua del estanque.

Posibles consecuencias: La muerte o graves lesiones si se tocan las piezas del equipo, los puntos de conexión y el agua del estanque.

Medidas de protección:

- Coloque el transformador y la caja de control de 12 V en un lugar seco y protegidos contra las salpicaduras de agua. Proteja la caja e control de 12 V adicionalmente contra la radiación solar directa (máx. 40 °C / 104 °F).
- El transformador y la caja de control de 12 V se deben emplazar a una distancia de seguridad mínima de 2 m (6,6 ft) de la orilla (D).

Emplazamiento

Emplazamiento del Water Trio / Water Quintet (B, C):

Variante 1 (B):

- Coloque el equipo lo más horizontal posible sobre una base plana en el agua.
- El nivel de agua mínimo debe encontrarse un poco por encima de las bombas (8).

Variante 2 (C):

Si la profundidad del agua es muy grande esto se puede compensar montando los tubos de prolongación (6). Si no se hace esto es necesario encontrar otro lugar de emplazamiento.

- Para abrir suelte los portaboquillas(9) con un ligero giro en la parte superior de la carcasa (10) y sáquela.
- Desatornille la boquilla de lámpara LED (11).
- Atornille los tubos de prolongación (6) entre las boquillas de lámpara LED (11) y las bombas (12).
- Cierre el equipo colocando la parte superior de la carcasa (10) en las boquillas de lámpara LED (11) y fíjela con los portaboquillas (9).
- Coloque el equipo lo más horizontal posible sobre una base plana en el agua.
- El nivel de agua mínimo debe encontrarse un poco por encima de las bombas (8).

Nota: Garantice que no se impida la entrada de agua en la parte inferior del equipo.

Emplazamiento de la caja de control de 12 V (E, F):

Variante 1 (E):

- Inserte la varilla de tierra (5) en la posición deseada con toda su longitud en el suelo.
- Ponga la la caja de control de 12 V (3) sobre la varilla de tierra (5).

Variante 2 (F):

- Atornille la caja de control de 12 V (3) en el fondo con 4 tornillos (13) (no incluidos en el volumen de suministro) entrando por las ranuras de tornillos (14) que se encuentran en la carcasa de la caja de control de 12 V (3).

Emplazamiento del transformador (G):

Emplace el transformador (2) cerca de la caja de control de 12 V (3).

Nota: Garantice un tendido sin tracción de los cables.

Instalación eléctrica

Conexión del Water Trio / Water Quintet con la caja de control de 12 V (G, H):

- Enchufe las clavijas de bomba que salen del Water Trio / Water Quintet (18) y las clavijas de las boquillas de las lámparas LED (20) en los conectores correspondientes para la bomba (19) y las boquillas de las lámparas LED (21) de la caja de control de 12 V (3). Tenga en cuenta la secuencia de las clavijas (marcaciones en las clavijas).
- Enchufe el cable de conexión (17) del transformador en el conector trasero (15) de la caja de control de 12 V (3) y apriételo con la tuerca racor (16).
- Ponga la cubierta protectora (4) sobre la caja de control 12 V (3).

Puesta en marcha



¡Cuidado! El equipo se puede dañar.

Medidas de protección: No opere nunca el equipo sin circulación de agua.

El equipo se conecta automáticamente cuando se haya realizado la conexión eléctrica. **Atención: tenga en cuenta la polaridad CC +/-.**

Conexión del equipo (I): Enchufe la clavija de red **(22)** del transformador en el tomacorriente.

– El Water Trio / Water Quintet arranca con el programa 1 (véase capítulo Operación).

Desconexión del equipo (I): Saque la clavija de red **(22)** del transformador.

Operación

	<p>Con el emisor manual se pueden seleccionar hasta 9 imágenes de fuente anteriormente programadas. A la puesta en marcha y a cada nueva conexión del equipo está seleccionado automáticamente el programa 1.</p>
	<p>P0 Equipo desconectado, modo de reserva</p>
	<p>P1 Todos los surtidores están activos, altura fija hasta 30 cm (1 ft) como máximo Luz conectada en todos los surtidores</p>
	<p>P2 Todos los surtidores están activos, altura fija hasta 70 cm (2,3 ft) como máximo Luz conectada en todos los surtidores</p>
	<p>P3 Todos los surtidores están activos, altura de surtidor dinámica hasta 70 cm (2,3 ft) como máximo Luz conectada en todos los surtidores</p>
	<p>P4 Un surtidor funciona de forma alternante en intervalos, altura máxima de 70 cm (2,3 ft) La luz se conecta siempre para el surtidor activo</p>
	<p>P5 Todos los surtidores están activos, altura fija hasta 110 cm (3,6 ft) como máximo Luz conectada en todos los surtidores</p>
	<p>P6 Todos los surtidores están activos, altura de surtidor dinámica hasta 110 cm (3,6 ft) como máximo Luz conectada en todos los surtidores</p>
	<p>P7 Un surtidor funciona de forma alternante en intervalos, altura máxima de 140 cm (4,6 ft) La luz se conecta siempre para el surtidor activo</p>
	<p>P8 Todos los surtidores están activos, altura de surtidor dinámica hasta 140 cm (4,6 ft) como máximo Luz conectada en todos los surtidores</p>
	<p>P9 Varios surtidores funcionan de forma alternante, altura máxima de 140 cm (4,6 ft) La luz se conecta siempre para los surtidores activos</p>
	<p>Selección del próximo programa: Tecla 1 Selección del programa anterior: Tecla 2</p>
	<p>Nota: – Si se conecta el Water Trio / Water Quintet mediante un temporizador siempre se pone en marcha el programa 1. – Es posible que haya divergencias en las alturas de surtidor.</p>

El emisor manual contenido en el suministro ya está programado a la caja de control de 12 V. La caja de control de 12 V se tiene que programar para cada emisor manual adicional.

Programación del emisor manual (J):

Para ajustar la caja de control de 12 V a la señal emitida por el emisor manual el receptor dispone de una tecla de programación **(24)**.

- Introduzca un lápiz **(23)** en el orificio para la tecla de programación **(24)** hasta sentir una resistencia. Siga introduciendo el lápiz **(23)** hasta superar la resistencia. La tecla de programación **(24)** está activada.
- Pulse la tecla de programación **(24)** con el lápiz **(23)** por aprox. 1 s.
- Pulse cualquier tecla en el emisor manual como mínimo 1 s.

Borrado del emisor manual (J):

- Pulse la tecla de programación **(24)** con un lápiz **(23)** como mínimo 5 s.

Todos los emisores almacenados en el receptor están borrados.

Nota: Se pueden ajustar como máximo 10 emisores manuales al receptor. El alcance máximo del emisor manual asciende a 80 m (260 ft). Obstáculos entre el emisor y el receptor, una batería débil del emisor manual o la radiación electromagnética de equipos eléctricos merman el alcance.

– Orientación del chorro de agua (K):

- Para orientar el chorro de agua ajuste las diferentes boquillas móviles **(25)**.

Limpeza y mantenimiento

Saque las clavijas de red de todos los equipos que se encuentran en el agua antes de ejecutar cualquier trabajo en los equipos.

Limpeza del equipo (L, M, N):

- Para abrir suelte los portaboquillas (9) con un ligero giro en la parte superior de la carcasa (10) y sáquela.
- Desatornille las boquillas de las lámparas LED (11) y si fuera necesario los tubos de prolongación (6) (véase ilustración C).
- Saque la bomba correspondiente (26) por el lado del soporte de retención del cesto de filtro (27).
- Suelte la tapa de bomba (28) con un ligero giro y saque la rueda (29).
- Limpie todas las piezas bajo agua corriente con un cepillo.

Montaje del equipo:

Monte el equipo en secuencia contraria (L, M, N).

Nota: Desplace la carcasa de la bomba en el cesto de filtro hasta que se enclave de forma perceptible.

Cambio de batería en el emisor manual (O, P):



El emisor manual se puede dañar por un manejo inadecuado.

Toque una superficie de metal no recubierta (p. ej. un calentador) para liberar la carga estática que podría dañar los componentes internos del emisor manual.

Garantice que no entre suciedad ni humedad en el emisor manual.

- Introduzca un destornillador plano (30) en el orificio lateral (31) del emisor manual.
- Abra la carcasa del emisor manual girando ligeramente el destornillador y levante la parte inferior de la carcasa (32).
- Saque la batería (33) del soporte (34).
- Ponga la nueva batería en el soporte (34). Observe que el lado estampado (35) de la batería indique hacia arriba.

Almacenamiento / Conservación durante el invierno

Desinstale el equipo en caso de heladas. Limpie minuciosamente el equipo y compruebe si está dañado. Guarde el Water Trio / Water Quintet sumergido en un recipiente con agua y protegido contra heladas. No sumerja la clavija de enchufe.

Desecho

Deseche el equipo conforme a las prescripciones legales nacionales. Consulte su comerciante especializado.

Eliminación de fallos

Fallo	Causa	Acción correctora
Las bombas no arrancan.	No hay tensión de alimentación	Compruebe la tensión de alimentación Controle las líneas de alimentación
El equipo no reacciona al emisor manual	El emisor manual no está programado	Programación del emisor manual
Altura del surtidor insuficiente	Rueda bloqueada o sucia	Limpie la rueda
	Carcasa de filtro de la bomba sucia	Limpie la carcasa de filtro
	Boquillas sucias	Limpie las boquillas
El equipo se desconecta después de un corto tiempo de funcionamiento (aprox. 10 s).	Temperatura del agua muy alta	Mantenga la temperatura máxima del agua de 35 °C. Saque la clavija de red y enchúfela otra vez en el tomacorriente para reconectar el equipo.
	Las bombas marcharon en seco.	Controle el nivel de agua y rellene agua si fuera necesario. Saque la clavija de red y enchúfela otra vez en el tomacorriente para reconectar el equipo.

Garantía limitada

OASE asume para este producto una garantía limitada de **dos años**. La garantía comienza con la fecha de la compra original y se extiende a defectos de material y fabricación o a aquellos defectos funcionales del producto que tienen como consecuencia que el producto no tenga las funcionalidades especificadas por OASE.

Esta garantía limitada no se extiende a defectos o problemas provocados por

- la falsa instalación del producto (véase instrucciones de servicio para la instalación prescrita);
- modificaciones de cualquier tipo del producto incluyendo los intentos de reparación del producto que se hicieron por un técnico de reparación no autorizado por OASE;
- desgaste normal (incluyendo entre otros los fenómenos de desgaste en las ruedas de bombas, las esteras y los elementos filtrantes en los filtros, lámparas en los equipos de luz y el decantador UV);
- incumplimiento de las directivas de seguridad, cuidado y mantenimiento descritas en estas instrucciones de servicio o determinadas por OASE en intervalos regulares;
- defectos que surgen por un tratamiento inadecuado;
- defectos o daños causados por el abuso del producto incluyendo entre otras cosas el incumplimiento de las instrucciones de servicio.

En el marco de esta garantía limitada OASE se responsabiliza exclusivamente por que se sustituya o repare el producto sometido a esta garantía limitada. OASE se responsabiliza por los daños consecuenciales en el jardín acuático, el estanque, el surtidor, el paisaje, la estructura o partes de la estructura en la cual se emplaza o emplea el producto inclusive los daños a los peces, animales o plantas en el agua o en el entorno del jardín acuático, el estanque o el surtidor.

LAS PRESTACIONES DE GARANTÍA EXPLÍCITAS AQUÍ MENCIONADAS SON LAS ÚNICAS PRESTACIONES DE GARANTÍA PARA LOS EQUIPOS Y LAS PRESTACIONES DE GARANTÍA AQUÍ MENCIONADAS SON LAS ÚNICAS PRESTACIONES POSIBLES EN EL CASO DE UNA INFRACCIÓN DE GARANTÍA. OASE RECHAZA EXPRESAMENTE CUALQUIER PROMESA IMPLÍCITA DE UNA IDONEIDAD PARA EL USO GENERAL (MERCHANTABILITY) O APTITUD PARA UN FIN DETERMINADO. BAJO NINGUNAS CIRCUNSTANCIAS OASE PUEDE SER CONSIDERADO RESPONSABLE POR DAÑOS CONSECUENCIALES CASUALES O INDIRECTOS DE CUALQUIER TIPO, POR CUALQUIER INFRACCIÓN DE GARANTÍA O DE OTRO MODO.

Algunos Estados federales no permiten la exclusión o la limitación de daños casuales o indirectos. En este caso la limitación arriba mencionada no tiene validez para Vd.

En caso que su producto de OASE tenga un defecto o fallo funcional cubierto por esta garantía limitada entregue el producto junto con el comprobante de compra original y los otros documentos de garantía a su comerciante de OASE para que podamos sustituir o reparar el producto.

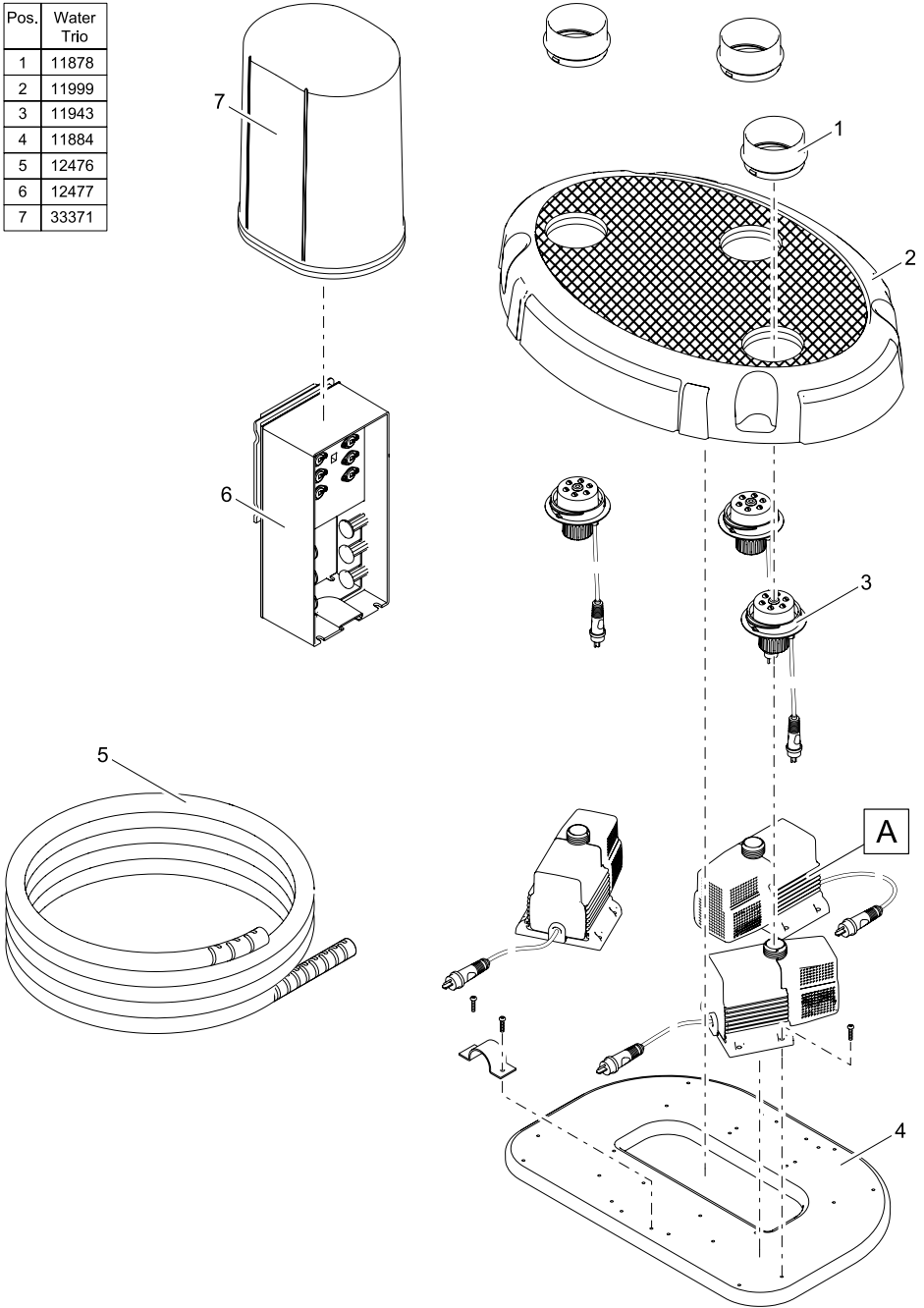
En caso que tenga preguntas acerca de esta garantía limitada envíenos un mensaje de correo electrónico a la dirección siguiente de OASE: warranty@oase-livingwater.com.

Garantía de requisitos / prolongación del tiempo de garantía limitado

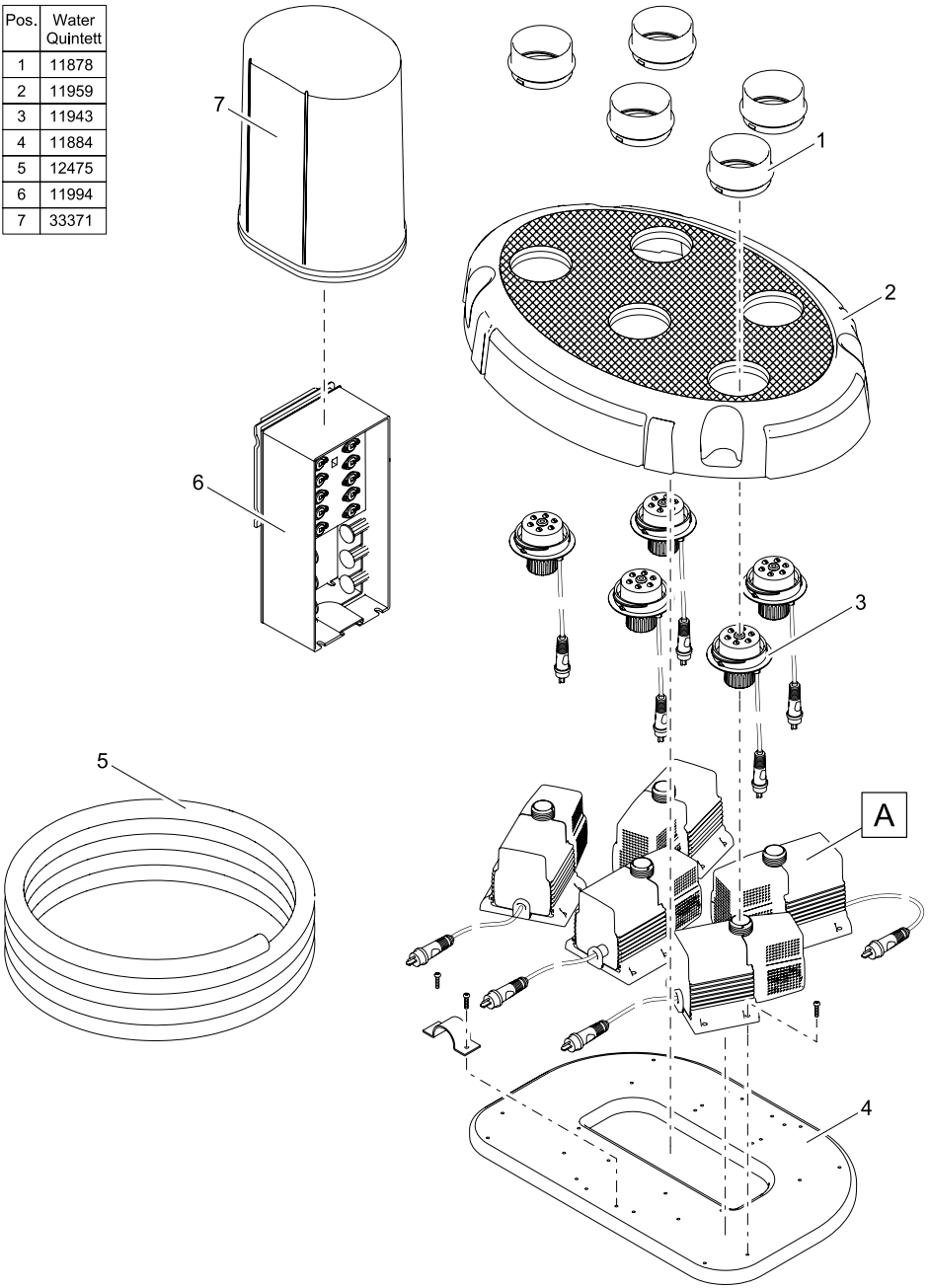
Rellene esta tarjeta de garantía de requisitos o regístrese online

en www.oase-livingwater.com y recibirá una prolongación de 1 año de su tiempo de garantía limitado. Tan pronto entre sus datos en OASE le mandaremos su certificado de garantía sobre la prolongación por correo electrónico o correo. Imprima este certificado y guárdelo junto con el comprobante de compra.

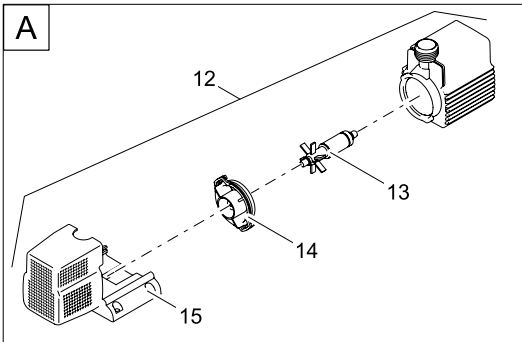
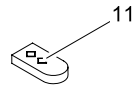
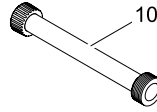
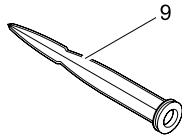
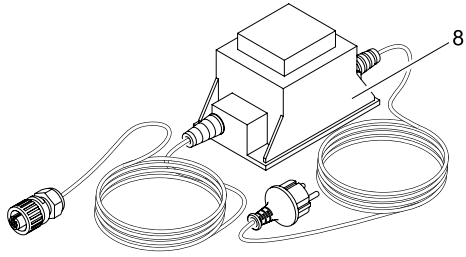
Pos.	Water Trio
1	11878
2	11999
3	11943
4	11884
5	12476
6	12477
7	33371



Pos.	Water Quintett
1	11878
2	11959
3	11943
4	11884
5	12475
6	11994
7	33371



Pos.	
8	35807
9	20284
10	11993
11	11282
12	11978
13	11845
14	12474
15	11909



Oase
LIVING WATER

OASE North America INC.
www.oase-livingwater.com