

# CYGNET AQUATIC HEATER (ALL TITANIUM)

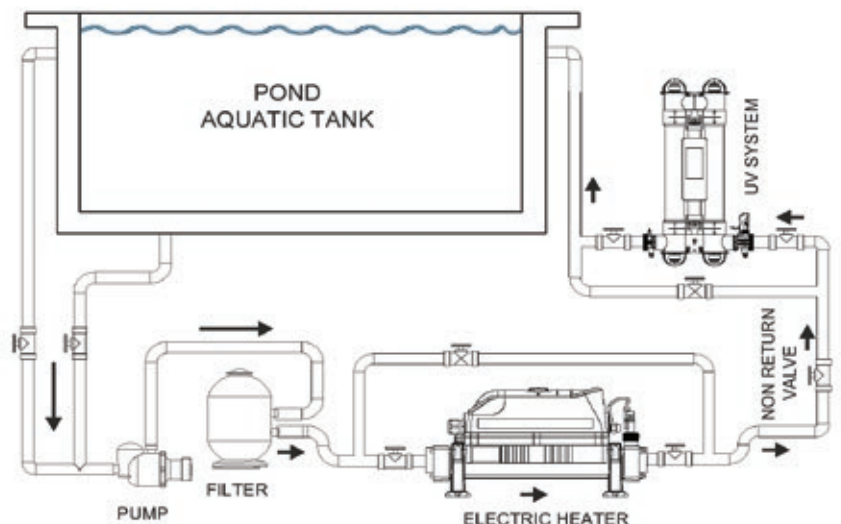
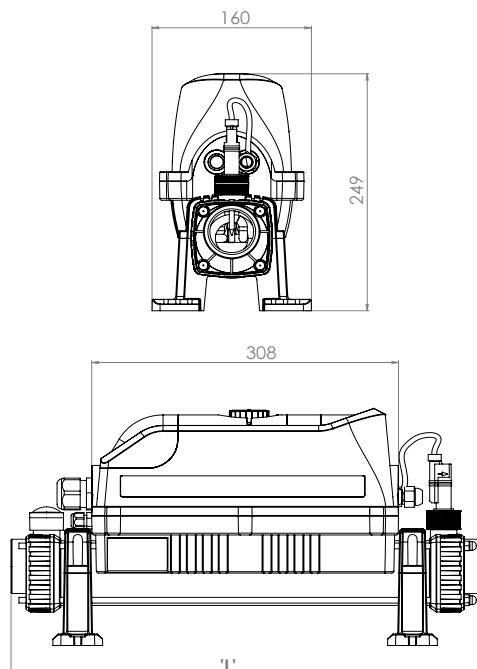
Supplied with low watts density coiled titanium heating elements. Cygnet heaters are titanium construction and an ideal solution for ponds and tropical marine applications.



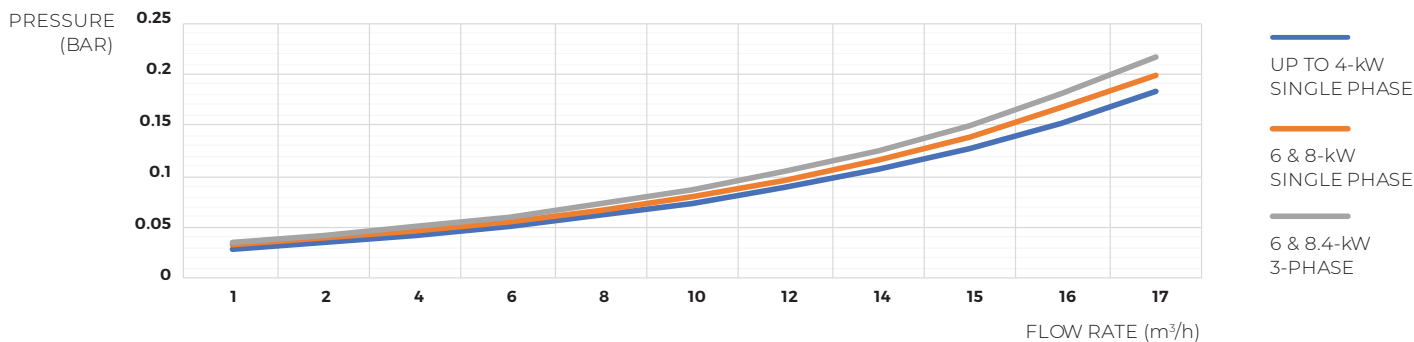
## FEATURES

- Six power options ranging from 1-kW to 8.4-kW
- Easy installation, fully equipped and pre-wired
- Robust, durable construction
- Ultra-reliable flow switch allows safe operation
- Supplied with temperature thermostat & overheating sensor
- Compact, durable design
- Analogue control with 1.2°C differential or digital control with 0.5°C differential and selectable multi-lingual display
- Titanium flow tube and titanium heating element(s)
- Can be floor or vertically wall mounted
- Vortex, long life, stay clean heating element technology
- 100% efficiency throughout the product life
- Silent operation

## TECHNICAL DRAWINGS



# PRESSURE DROP



## SPECIFICATIONS

<b>POWER SUPPLY</b>	Single phase or three phase
<b>FLOW REQUIREMENTS</b>	Minimum flow: 1m <sup>3</sup> /h Maximum flow: 17m <sup>3</sup> /h
<b>HEATING ELEMENTS</b>	Grade 1 titanium
<b>FLOW TUBE</b>	Grade 1 titanium
<b>CONTROL THERMOSTAT</b>	Analogue: 0 > 45°C (1.2°C differential) Digital: 0 > 45°C (0.5°C differential)
<b>SAFETY THERMAL CUT OUT</b>	60°C (manual reset)
<b>FLOW SWITCH</b>	Gold tipped reed switch with titanium fulcrum pin
<b>CONTACTORS</b>	Siemens 3RT2023 or 3RT2027
<b>SEALS</b>	High temperature special formula EPDM ferrules, TPE end fitting gaskets
<b>WATER CONNECTIONS</b>	1.5" BSP female thread supplied with 1½" / 50mm stepped ABS unions for rigid pipe and 1½" / 1¼" stepped hose tails for flexible pipe
<b>INTERNATIONAL PROTECTION MARKING</b>	IP44
<b>FREQUENCY</b>	50/60 Hz
<b>WORKING PRESSURE</b>	4 bar maximum
<b>MOUNTING</b>	Floor or wall mounting

## MODELS

220-240V 1-PHASE	LOAD	PRODUCT CODES		DIMENSION 'L'	NET WEIGHT	GROSS WEIGHT	VOLUME
		Analogue	Digital				
Power Output	Amp			mm	kg	kg	m <sup>3</sup>
1-kW	6	AQ-E2-1-1	AQ-E2D-1-1	462	4.3	5.5	0.059
2-kW	9	AQ-E2-1-2	AQ-E2D-1-2	462	4.3	5.5	0.059
3-kW	13	AQ-E2-1-3	AQ-E2D-1-3	462	4.3	5.5	0.059
4-kW	18	AQ-E2-1-4	AQ-E2D-1-4	462	4.3	5.5	0.059
6-kW	27	AQ-E2-1-6	AQ-E2D-1-6	462	4.3	5.5	0.059
8-kW	35	AQ-E2-1-8	AQ-E2D-1-8	592	4.6	5.8	0.059
<b>400V 3-PHASE *</b>							
6-kW	9	AQ-E2-3-6	AQ-E2D-3-6	592	5.4	6.6	0.059
8.4-kW	13	AQ-E2-3-8	AQ-E2D-3-8	592	5.4	6.6	0.059

\* for voltages other than 400V please add: -380 or -415 at the end of a product code e.g: E2-3-15-380  
For any other voltages or custom builds, please contact our sales team [sales@elecro.co.uk](mailto:sales@elecro.co.uk)