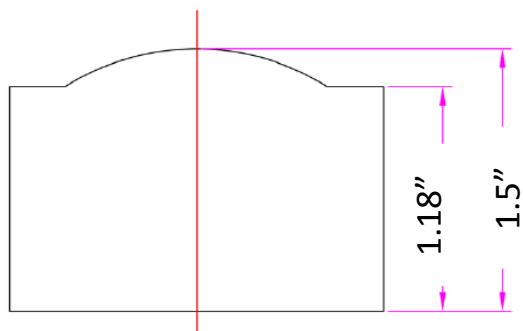
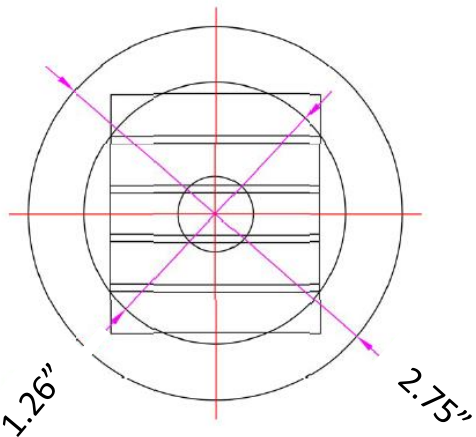


Dimensions



Dimensions shown include SSTL SUS case

Specifications

Technology	Pseudocapacitor
Full Sun Charge Time	3 Hours
Overcast Charge Time	8 Hours
Discharge Time	Up to 16 Hours
Voltage/Bonding Requirements	2.3V/No Bonding
Snowplowable	No
Housing Material	Stainless Steel
Lens Material	Polycarbonate
Seal Rating	IP 68
Compressive Strength (LBF)	24,517 N
Operating Temperature	-40F to 158F
LED Direction	Single
Number of LEDs	1
Activation	Dusk-to-Dawn
Color Options	White, Red, Green, Blue, Yellow
Function Options	Steady, Slow Flash, Fast Flash
Country of Origin	Korea

Luminance (LUX Average)

Red	20.2
Green	72.4
Blue	2.0
Yellow	25.5
White	41.3



SolaRight Lighting
5600 N. May Ave Ste. 100
Oklahoma City, OK 73112
405.673.8687 / www.solarightlighting.com