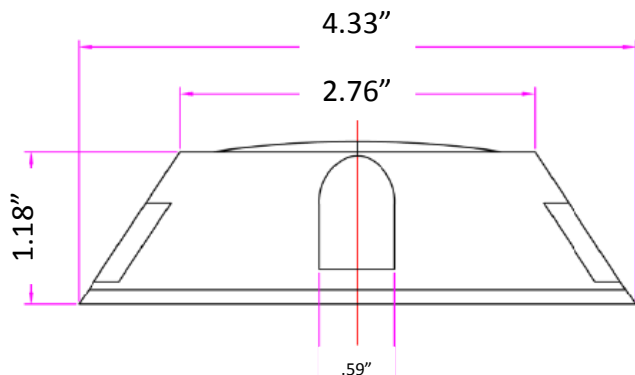
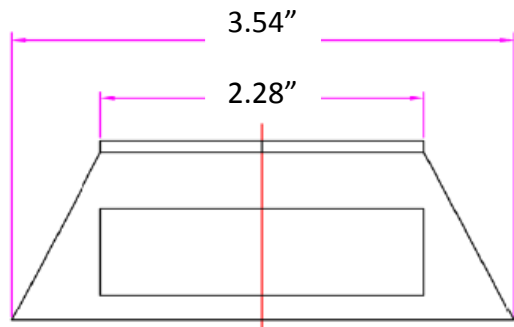


**Dimensions**



**Specifications**

Technology	Pseudocapacitor
Full Sun Charge Time	3 Hours
Overcast Charge Time	8 Hours
Discharge Time	Up to 16 Hours
Voltage/Bonding Requirements	2.3V/No Bonding
Snowplowable	No
Housing Material	Cast Aluminum
Lens Material	Polycarbonate
Seal Rating	IP 68
Compressive Strength (LBF)	282,824 N
Operating Temperature	-40F to 158F
LED Direction	Uni or Dual
Number of LEDs	3 or 6
Activation	Dusk-to-Dawn
Color Options	White, Red, Green, Blue, Yellow
Function Options	Steady, Slow Flash, Fast Flash
Country of Origin	Korea

**Luminance (LUX Average)**

Red	34.2
Green	147.5
Blue	3.2
Yellow	26.7
White	86.8



SolaRight Lighting  
5600 N. May Ave Ste. 100  
Oklahoma City, OK 73112  
405.673.8687 / [www.solarightlighting.com](http://www.solarightlighting.com)