



## ***Aquarius Eco Expert 7300 / 11500***

**Operating instructions  
Notice d'emploi  
Instrucciones de uso**





## **WARNING**

- This unit can be used by children aged 8 and above and by persons with reduced physical, sensory or mental capabilities or lack of experience and knowledge if they are supervised or have been instructed on how to use the unit in a safe way and they understand the hazards involved.
- Do not allow children to play with the unit.
- Only allow children to carry out cleaning and user maintenance under supervision.
- Ensure that the unit is fused for a rated fault current of max. 30 mA by means of a fault current protection device.
- Only connect the unit if the electrical data of the unit and the power supply correspond. The unit data is to be found on the unit type plate, on the packaging or in this manual.
- Possible death or severe injury from electrocution! Before reaching into the water, always disconnect all units in the water that have a voltage of >12 V AC or >30 V DC from the power supply.
- Only operate the unit if no persons are in the water.
- A damaged connection cable cannot be replaced. Dispose of the unit.

### **Safety information**

#### **Correct electrical installation**

- Electrical installations must meet the national regulations and may only be carried out by a qualified electrician.
- A person is regarded as a qualified electrician if, due to his/her vocational education, knowledge and experience, he or she is capable of and authorised to judge and carry out the work commissioned to him/her. This also includes the recognition of possible hazards and the adherence to the pertinent regional and national standards, rules and regulations.
- For your own safety, please consult a qualified electrician.
- Extension cables and power distributors (e.g. outlet strips) must be suitable for outdoor use (splash-proof).
- Protect the plug connection from moisture.

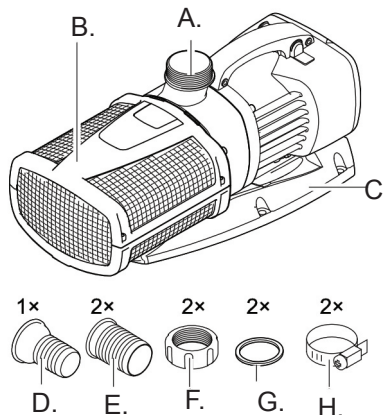
#### **Safe operation**

- The impeller unit in the pump contains a magnet with a strong magnetic field that may affect the operation of pace-makers or implantable cardioverter defibrillators (ICDs). Always keep magnets at least 8 inches away from implanted devices.
- Never operate the unit if an electrical cable is defective!
- Never operate the unit if the housing is defective!
- Never carry or pull the unit by the electrical cable.
- Never carry out technical changes to the unit.
- Only carry out work on the unit that is described in this manual. If problems cannot be overcome, please contact an authorised customer service point or, if in doubt, the manufacturer.
- Route cables such that they are protected from damage and do not present a tripping hazard.
- Only use original spare parts and accessories for the unit.
- Only open the unit housing or its attendant components if this is explicitly specified in the operating instructions.

**REMINDER**

CALL 1-866-627-3435  
BEFORE RETURNING TO STORE.

Part	Description	QTY
A	Filter pump	1
B	Filter housing	1
C	Stand	1
D	1½" (38 mm) hose connector	1
E	2" (50 mm) hose connector	2
F	Union nut for fastening the hose connector	2
G	Flat seal for the hose connector	2
H	Hose clamp	2



**Information about these operating instructions**

Welcome to OASE Living Water. You made a great choice with the purchase of this product Aquarius Eco Expert 7300 / 11500. Prior to operating the unit, please read the instructions of use carefully and fully familiarize yourself with the unit. Ensure that all work on and with this unit is only carried out in accordance with these instructions. Please strictly follow the enclosed instructions to ensure safe and correct handling of the product. Keep these instructions in a safe place. Please also hand over the instructions when passing the unit on to a new owner.

**! WARNINGS AND CAUTIONS SYMBOLS**

**Symbols used in these instructions**

The symbols used in this operating manual have the following meanings:

**! WARNING**

Indicates a possibly hazardous situation. Non-observance may lead to death or serious injuries.

**i NOTE**

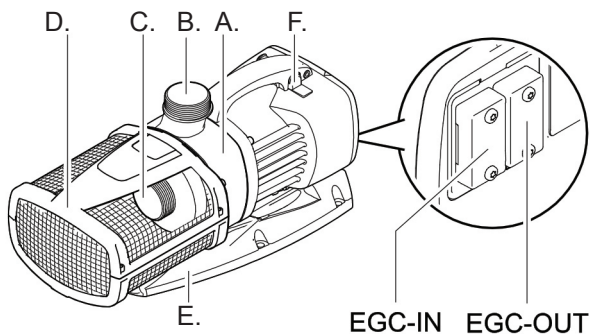
Information for the purpose of clarification or for preventing possible damage to assets or to the environment.

**Questions, problems, missing parts?**

Before returning to your retailer, call us at 1-866-627-3435, 8 a.m.-6 p.m., EST, Monday-Friday, or email us at [customer-care@oase-livingwater.com](mailto:customer-care@oase-livingwater.com). Or visit our website at [www.oase-livingwater.com](http://www.oase-livingwater.com)

## PRODUCT DESCRIPTION

Part	Description
A	Pump casing
B	Outlet (pressure socket)
C	Inlet (suction socket)
D	Filter housing
E	Stand <ul style="list-style-type: none"> <li>- Ensures secure and stable positioning of the pump.</li> <li>- Can be firmly bolted to the ground.</li> </ul>
F	Switch for switching on/switching off the Dynamic Function
EGC IN/OUT	EGC connection - Connection for Eco Control or for integration into an EGC-network (optional). Important: Moisture at the connections can damage the pump. <ul style="list-style-type: none"> <li>- Only remove the protection caps for connecting the Connection Cable EGC lines or terminal resistor.</li> <li>- Ensure that the rubber seals are clean and fit exactly.</li> <li>- Replace damaged rubber seals.</li> </ul>



### Easy Garden Control System (EGC)

This product can communicate with the Easy Garden Control-System (EGC). EGC allows convenient control in the garden and pond via smartphone or tablet, and ensures maximum convenience and reliability. Information about EGC and the possibilities it offers can be found at [www.oase-livingwater.com](http://www.oase-livingwater.com)

### Dynamic Function

Different values for the pump flow rates are pre-programmed in the pump control system to allow a dynamic fountain pattern with changing heights and diameters. When the Dynamic Function is activated, the pump is continuously controlled with these values.

## Intended use

Aquarius Eco Expert 7300 / 11500, referred to in the following as "unit", may only be used as specified in the following:

- Pumping of normal water for creating fountains.
- Operate in accordance with instructions.
- Operation under observance of the permissible water quality. (See **Water quality**)

The following restrictions apply to the unit:

- Do not use in swimming ponds.
- Never use the unit to convey fluids other than water.
- Never run the unit without water.
- Do not use for commercial or industrial purposes.
- Do not use in conjunction with chemicals, foodstuff, easily flammable or explosive substances.
- Do not connect to the domestic water supply.

## Use other than that intended

This unit can be dangerous and cause harm if not used in accordance with these instructions. Any use not in accordance with these instructions or modification(s) to the unit will void the limited warranty.

## Installation and connection



### **WARNING! Hazardous electrical voltage!**

**Possible consequences:** Death or serious injuries.

**Protective measures:**

- Prior to reaching into the water, isolate (switch off and disconnect) all units/devices used in the water.
- Isolate the device (disconnect from the power supply) before carrying out any work on it.



### **WARNING!**

Death or serious injuries from hazardous electrical voltage due to operation of this unit in a swimming pond

- Never operate this unit in a swimming pond.



### **NOTE**

If the pump is used for conveying excessively soiled water, the impeller unit will be subject to increased wear and will require earlier replacement.

**Remedy:**

- Thoroughly clean the pond or pool before installing the pump.
- **Install the pump approx. 8 in. above the floor of the pond to avoid excessively soiled water from being drawn into the pump.**

- The unit is either submerged or set up in a dry location.
- The use of the pump is only permitted with observance of the specified water quality. (See **Water quality**)
- Pool water or salt water can impair the appearance of the unit. Such impairments are excluded from the guarantee.

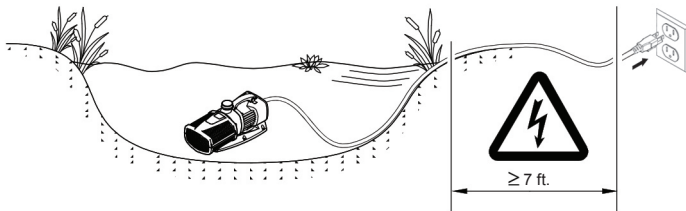
## Questions, problems, missing parts?

Before returning to your retailer, call us at 1-866-627-3435, 8 a.m.-6 p.m., EST, Monday-Friday, or email us at [customer@oase-livingwater.com](mailto:customer@oase-livingwater.com). Or visit our website at [www.oase-livingwater.com](http://www.oase-livingwater.com)

## Installation and connection

### Submerged installation of the pump

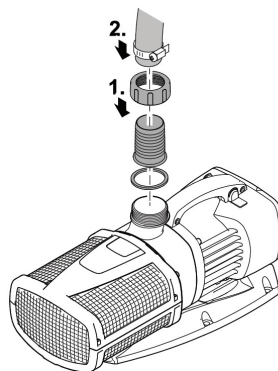
- Never operate the pump in a swimming pond.
- Only operate the pump when it is below the water surface level.
- Only operate the pump with the filter basket fitted.
- Ensure that the pump is in a secure and stable position.



### Connecting the hose for submerged installation

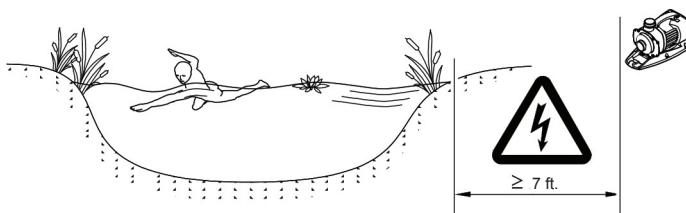
- Aquarius Eco Expert 7300: On the outlet, use the 2" (50 mm) hose connector or the 1½" (38 mm) hose connector.
- Aquarius Eco Expert 11500: On the outlet only use the 2" (50 mm) hose connector.

1. Screw the stepped hose adapter including union nut and sealing ring to the outlet.
2. Slip the hose clip over the hose, fit the hose onto the hose connector and secure with the hose clip.



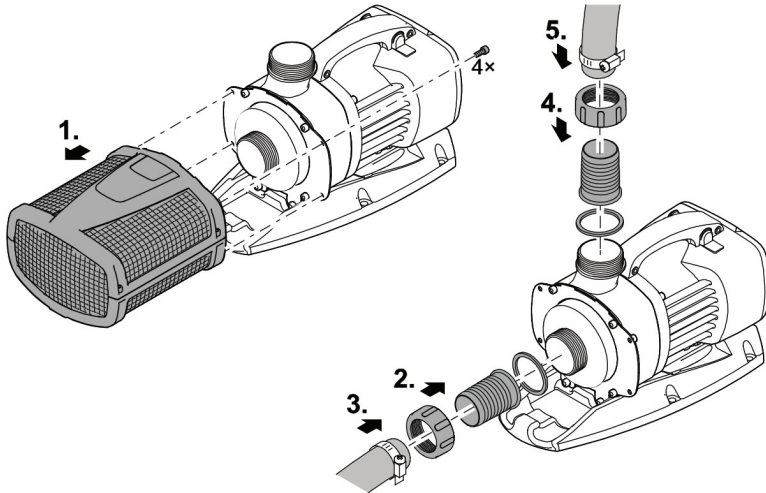
### Dry installation of the pump (Install the unit at a dry place)

- Aquarius Eco Expert 7300: Hoses or pipes can be connected at the inlet and outlet. Recommendation:
  - Up to 16 ft. length: Use 2" (50 mm) hose connectors and hoses. (See **Connecting the hose**)
  - From 16 ft. length: Use DN 75 (2.5") or DN 100 (3") pipes. (See **Connecting the pipe**)
- Aquarius Eco Expert 11500: AA pipe is connected to the inlet. A hose or a pipe can be connected to the outlet. Recommendation:
  - Up to 16 ft. length: Use 2" (50 mm) hose connectors and hoses. (See **Connecting the hose**)
  - From 16 ft. length: Use DN 75 (2.5") or DN 100 (3") pipes. (See **Connecting the pipe**)
- Swimming pond or pool that may be accessed by people.
  - Install the unit at least 7 ft. away from the water.
- Do not expose the unit to direct sunlight.
- Ensure that the pump is in a secure and stable position.
- Adhere to the maximum permissible ambient temperature. Ensure forced cooling if necessary. (See **Technical data**)

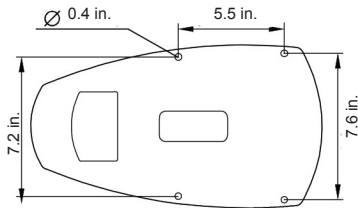


### Connecting the hose for dry installation

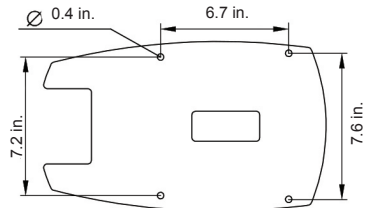
1. Remove the screws for fastening the filter basket and remove the filter basket.
2. Screw the hose connector with union nut and seal onto the inlet.
3. Slip the hose clip over the hose, fit the hose onto the hose connector and secure with the hose clip.
4. Screw the hose connector with union nut and seal onto the outlet.
5. Slip the hose clip over the hose, fit the hose onto the hose connector and secure with the hose clip.
6. Fasten the pump to a suitable base using screws (not included in the scope of delivery).



6. Aquarius Eco Expert 7300



Aquarius Eco Expert 11500



AR501

### Connecting the pipe for dry installation

Aquarius Eco Expert 7300/11500: To connect the pipes, one PVC transition sleeve each is required. PVC transition sleeves are available in specialised shops.

1. Screw the PVC transition sleeve and seal onto the outlet.
2. Attach the PVC transition sleeve to the pipe.

### Questions, problems, missing parts?

Before returning to your retailer, call us at 1-866-627-3435, 8 a.m.-6 p.m., EST, Monday-Friday, or email us at [customer-care@oase-livingwater.com](mailto:customer-care@oase-livingwater.com). Or visit our website at [www.oase-livingwater.com](http://www.oase-livingwater.com)

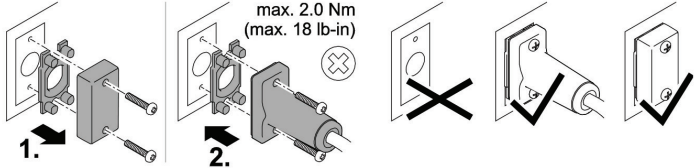
# Installation and connection

## Connecting to Eco Control

As an option, Eco Control can be connected to the pump to control it.

- The control unit Eco Control is available as an accessory for Eco Expert pumps.
- If the pump is integrated in an EGC network, connecting Eco Control is not possible.

1. Remove the protection cap from EGC-IN.



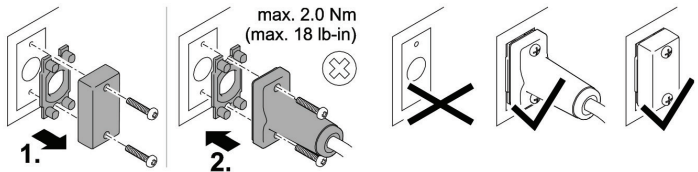
2. Fit the plug connector of the cable and secure with the two screws (max. 2.0 Nm) (max. 18 lb-in).
  - Ensure that the rubber seal is clean and fits exactly.
  - Replace the rubber seal if damaged.

## Integrating the pump in the EGC network

The pump can be integrated in an EGC network. The InScenio EGC and all EGC compatible units are connected with each other via Connection Cable EGC in an EGC network. A terminal resistor has to be fitted to the EGC-OUT of the last EGC compatible unit in order to terminate the network.

- The EGC connection cable is available as an accessory
- Ensure the correct connection.(See **Easy Garden Control System (EGC)**).

1. Remove the protection cap from EGC-IN.



2. Fit the plug connector of the EGC connection cable and secure with the two screws (max. 2.0 Nm) (max. 18 lb-in).
  - Ensure that the rubber seal is clean and fits exactly.
  - Replace the rubber seal if damaged.

3. Remove the protection cap from EGC-OUT, fit the terminal resistor and secure it with the two screws (max. 2.0 Nm) (max. 18 lb-in) or another EGC compatible unit.

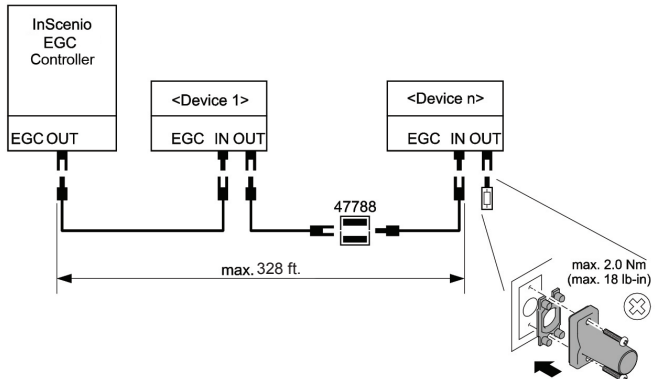
- No Connection Cable EGC is connected to EGC-OUT on the last unit in the EGC network. The terminal resistor has to be fitted to this EGC-OUT so that the EGC network is correctly terminated.
- The terminal resistor is included in the delivery scope of the InScenio EGC.



### NOTE

The device will be destroyed if water penetrates the EGC sockets.

- Close the EGC sockets with EGC plugs or a protection cap.





## Commissioning/start-up

### NOTE

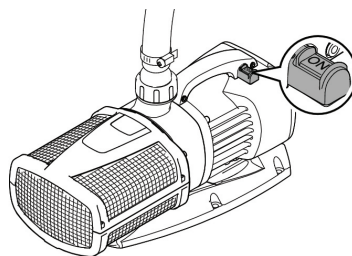
- Sensitive electrical components. Incorrect connection will destroy the unit.
- Do not connect the unit to a dimmable power supply.

When started up, the pump automatically performs a pre-programmed self-test of approx. two minutes length (**Environmental Function Control (EFC)**). The pump detects if it is running dry / blocked or submerged. The pump switches off automatically after approx. 90 seconds if it runs dry (is blocked). In the event of a malfunction, disconnect the power supply and flood the pump or remove the obstacle. Following this, the unit can be restarted.

- **Switching on:** Connect the unit to the mains. The unit switches on immediately.
- **Switching off:** Disconnect the unit from the mains.

### Dynamic Function

1. Press and slide the switch.
  - ON The function is activated.
  - OFF The function is deactivated.



### NOTE

- When the Dynamic Function is activated, the function of the EFC (Environmental Function Control) is limited.
- The unit is not protected from running dry.

## Maintenance and cleaning

### Attention! Dangerous electrical voltage. Possible consequences: Death or serious injuries.

#### Protective measures:

- Prior to reaching into the water, isolate (switch off and disconnect) all units/devices used in the water
- Isolate the device (disconnect from the power supply) before carrying out any work on it.

### Cleaning the unit

### NOTE

Recommendation regarding cleaning:

- Clean the unit as required but at least twice a year.
- When cleaning the pump, pay particular attention to the cleaning of the impeller unit and pump housing.

• Do not use aggressive cleaning agents or chemical solutions as they could attack the housing or impair the function of the unit.

• Recommended cleaning agent for removing stubborn limescale deposits:

- Pump cleaning agent.
- Vinegar- and chlorine-free household cleaning agent.

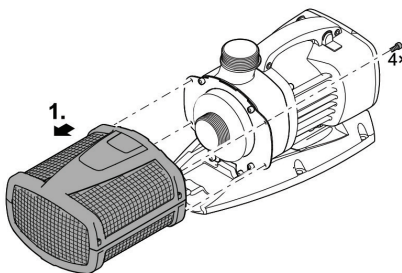
• After cleaning, thoroughly rinse all parts in clean water.

### Questions, problems, missing parts?

Before returning to your retailer, call us at 1-866-627-3435, 8 a.m.-6 p.m., EST, Monday-Friday, or email us at [customer-care@oase-livingwater.com](mailto:customer-care@oase-livingwater.com). Or visit our website at [www.oase-livingwater.com](http://www.oase-livingwater.com)

### Cleaning the unit

1. Remove the screws for fastening the filter basket and remove the filter basket.
2. Clean all parts.
  - Use a soft brush.
  - Rinse parts in clean water.
3. Reassemble the unit in the reverse order.



### Replacing the impeller unit

**i** **NOTE**  
The impeller unit is guided in the motor block by a bearing. This bearing is a wear part and should be changed at the same time as the impeller unit.

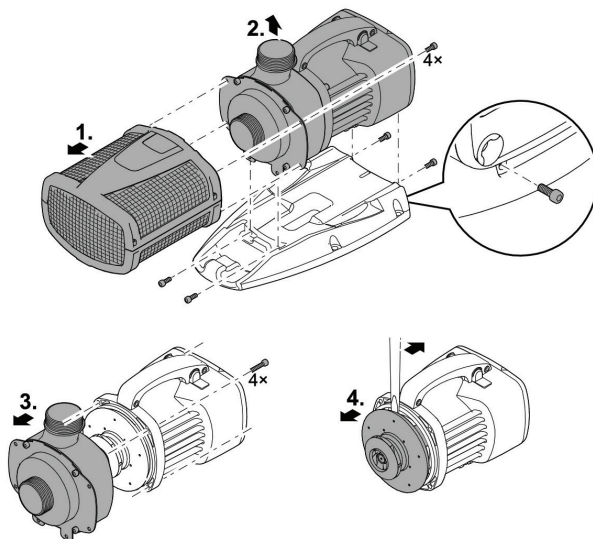
- Changing the bearing requires specialist knowledge and tools. Have the bearing changed by your OASE specialist dealer or send the pump to OASE.

**i** **NOTE**  
The impeller unit contains strong magnets that attract magnetic particles (e.g. iron filings)

- All particles must be removed from the impeller unit before reassembly. Any remaining particles can cause irreparable damage to the impeller unit and motor block.

• The pipes/hoses at the inlet and outlet are removed.

1. Remove the screws for fastening the filter basket and remove the filter basket
2. Remove the screws for fastening the stand and remove the stand
3. Remove the four screws and take off the pump casing
4. Pull out the impeller unit and replace if necessary.
  - Use a wide-blade screwdriver to carefully lever out the impeller unit if necessary.
5. Reassemble the unit in the reverse order.



## Storage/Winterization

The unit is frost resistant to minus -4°F (20 °C). Should you store the unit outside of the pond, clean it thoroughly with a soft brush and water, check it for damage, then store immersed in water or filled with water. Do not immerse the power plug in water! Bearing in the motor block.

## Wear parts

- Impeller unit
- Bearing in the motor block

## Repair

Repair is not possible in the following cases. The pump has to be replaced.

- If there is no replacement part approved by OASE for a defective component.
- If an electric cable permanently connected to the pump becomes damaged or is shortened.

## Disposal



Do not dispose of this unit with domestic waste! Disable the unit beforehand by cutting off the cables. Further information about the recycling of this product can be obtained from your local municipal authority.

## Spare parts

The use of original parts from OASE ensures continued safe and reliable operation of the unit. Please visit our website for spare parts drawings and spare parts. [www.oase-livingwater.com](http://www.oase-livingwater.com)

## Troubleshooting

Issue	Cause	Solution
Pump does not start	No mains voltage	<ul style="list-style-type: none"> <li>- Check the mains voltage</li> <li>- Check supply lines</li> </ul>
Pump does not deliver	Filter housing clogged	Clean
	Excessively soiled water	Clean pump. The pump automatically switches on again once the motor has cooled down.
	Impeller unit blocked	Disconnect the power supply and remove obstacle. Then switch the pump on again.
Insufficient delivered quantity	Filter housing clogged	Clean
	Excessive loss in the supply lines	<ul style="list-style-type: none"> <li>- Select larger hose diameter</li> <li>- Reduce hose length to reduce frictional loss</li> <li>- Avoid unnecessary connection elements</li> </ul>
Pump switches off after a short running period	Excessively soiled water	Clean pump. The pump automatically switches on again once the motor has cooled down.
	Water temperature too high	Note maximum water temperature of +35°C. The pump automatically switches on again once the motor has cooled down.
	Impeller unit blocked	Disconnect the power supply and remove obstacle. Then switch the pump on again.
	Pump has run dry.	Flood pump. Fully submerge the unit when operated in the pond.

### Questions, problems, missing parts?

Before returning to your retailer, call us at 1-866-627-3435, 8 a.m.-6 p.m., EST, Monday-Friday, or email us at [customer@oase-livingwater.com](mailto:customer@oase-livingwater.com). Or visit our website at [www.oase-livingwater.com](http://www.oase-livingwater.com)