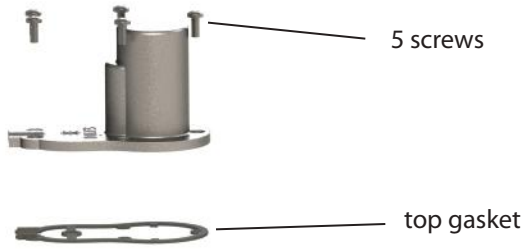
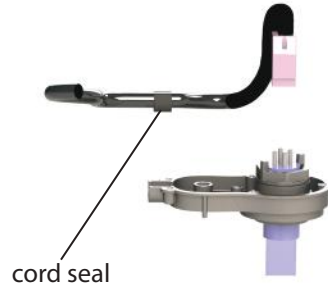


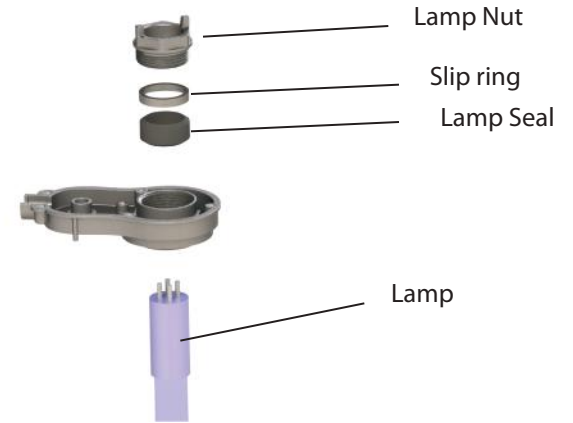
Step 1:  
Remove 5 screws , cover plate and top gasket



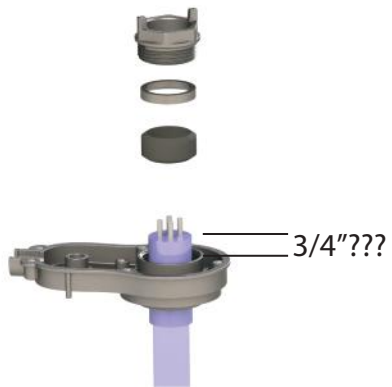
Step 2:  
disconnect lamp connector  
remove cord and cord seal



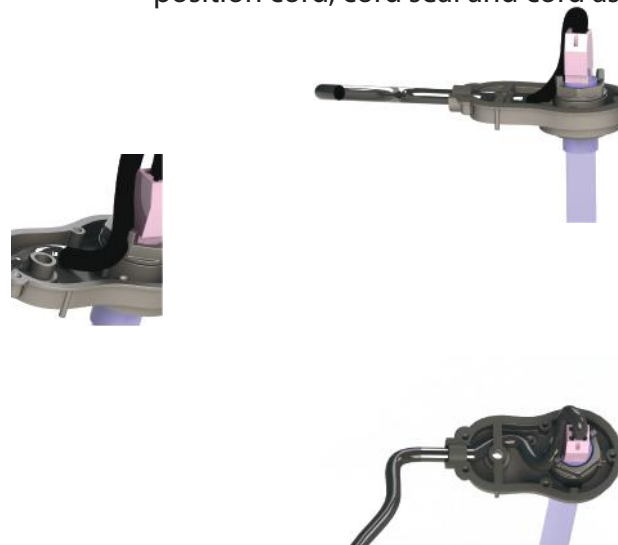
Step 3:  
Unscrew lamp nut  
remove lamp, lamp seal and slip ring



Step 4:  
position new lamp and  
replace seal assembly in order shown



Step 5:  
reconnect lamp connector  
position cord, cord seal and cord as shown



Step 6:  
replace cover and secure with screws as shown



Note: Lamp nut may require a wrench  
to ensure secure fit of lamp