



# Brass Wall Scuppers

## Product Overview & Specifications

### Product Introduction

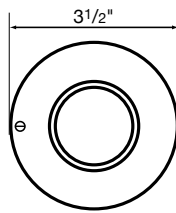
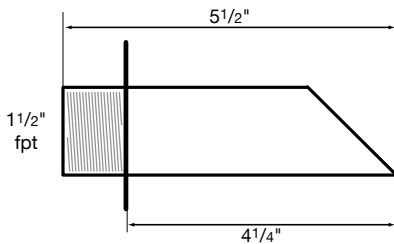
Thank you for purchasing EasyPro's Vianti Falls Scupper. This brass spillway is ideal for formal water features and can accentuate the complete water feature in an endless number of possible applications.

### Scupper Dimensions and Specifications

**NOTE:** Drawings are not to scale.

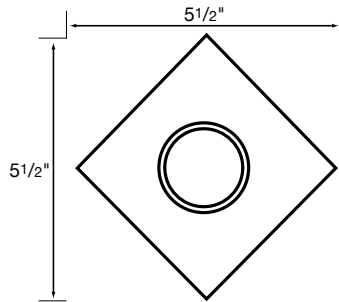
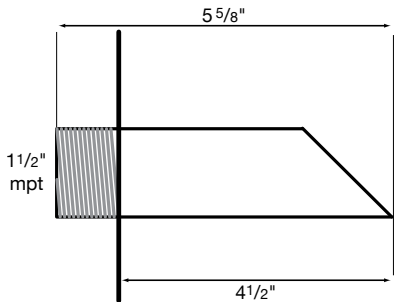
#### **BWS2RN 2" round wall scupper w/round trim plate** *Ground screw included*

**Recommended Flow Rate:** 5-15 gpm



#### **BWS2D 2" round wall scupper w/diamond trim plate**

**Recommended Flow Rate:** 5-15 gpm



#### **BWS2F 2" Antique round wall scupper w/round trim plate** *Ground screw included*

**Recommended Flow Rate:** 10-20 gpm

